

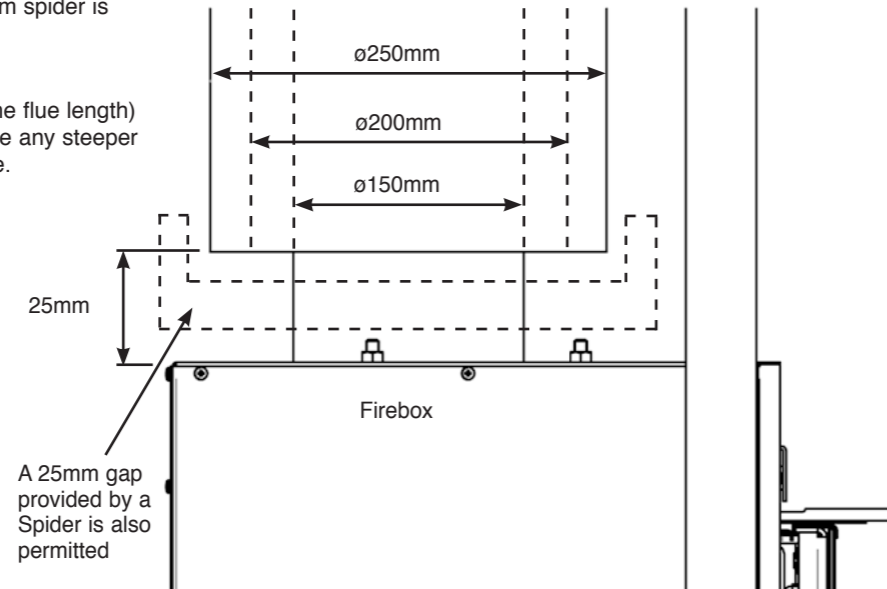
## Flue Options

### Rigid Flue System

It is recommended that this appliance is used in conjunction with a twin or triple wall flue system as per the manufacturers requirements and AS/NZ 2918:2001 ensuring the centre and outer skins are supported on the box brackets to maintain the required clearances from the box.

Ensure a gap of 25mm is maintained between the firebox and the 200 diameter and 250 diameter intermediate and outer flue pipes. A bottom spider is usually adopted for this purpose.

Any offset bends required within 1.2m (one flue length) off the top of the firebox and should not be any steeper than 10 - 15 degrees off the vertical plane.



## Frame Options

Frames available for this appliance:

Styling Frame options	Dimensions (W x H x D)	
	Studio 2	Studio 3
Edge	1089 x 592 x 34	1476 x 597 x 44.5
Edge+	1073 x 598 x 34	1480 x 603 x 34
Cool Wall	1093 x 603 x 59	1480 x 613 x 70
Profil	1039 x 542 x 33	1426 x 547 x 45
Bauhaus	1050 x 554 x 36	1437 x 559 x 49
Steel XS	1111 x 622 x 3	-
Steel	1439 x 622 x 3	1926 x 647 x 3
Glass	1445 x 628 x 8	1932 x 653 x 8
Verve	1440 x 622 x 59	1927 x 647 x 83

Refer to Frame Installation Manual for details (PM378)

Distributed by:



The Fireplace  
Auckland ph 09 623 6996  
www.thefireplace.co.nz



# STOVAX

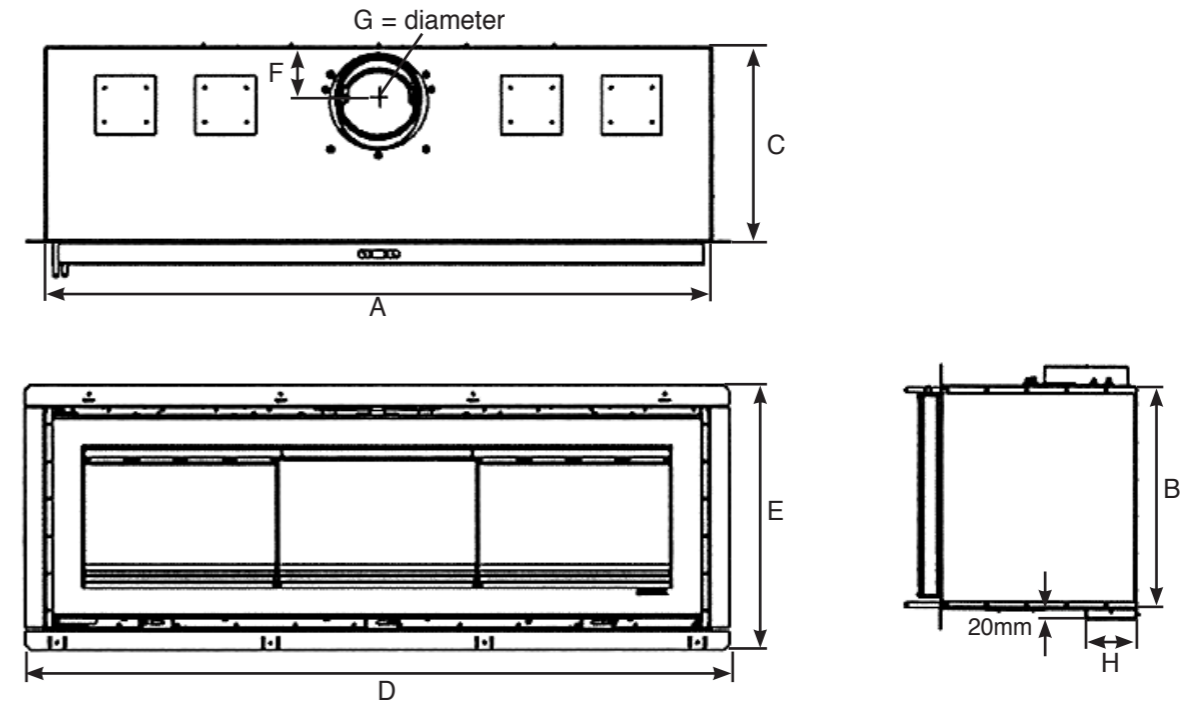
Fire Your Imagination

PM1116NZ New Zealand Info Sheet Issue 3 (March 2016)



## Riva Studio 2 & 3 Information Sheet for Builders & Designers

### Appliance Information



Description	Model	A	B	C	D	E	F	G	H
Riva Studio 2	RVST-2HTAU	950	440	350	1019	522	246	153 (6")	105
Riva Studio 3	RVST-2HTAU	1332	450	393	1406	532	291	153 (6")	105

All dimensions in mm. (25.4 mm = 1")

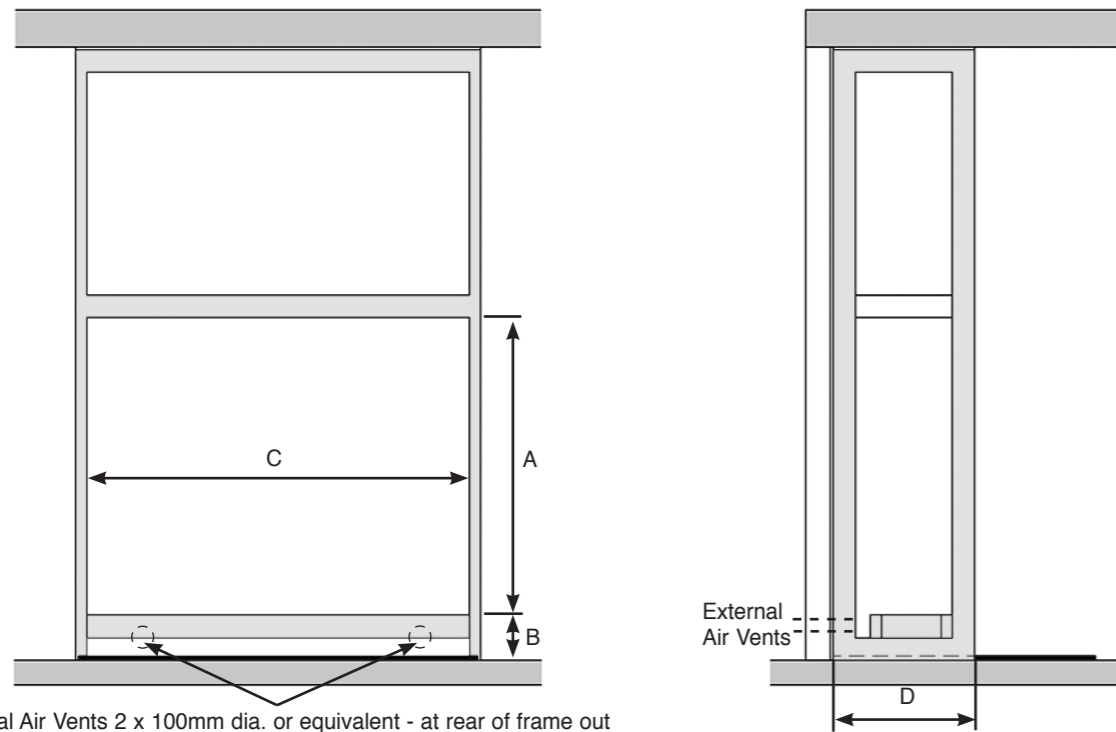
### Technical Specification

Model: Riva Studio 2 Riva Studio 3	Studio 2	Studio 3	
Nominal Heat Output	kW	15	18
Room Heating Capacity	m <sup>2</sup>	200	250
Particulate Emissions	g/kg	2.28	2.0
Efficiency	%	60%	58%
Weight	Kg	135	206
Recommended Fuels	Seasoned Wood (less than 20% moisture content) Hardwood		

As tested to the requirements of AS/NZ 4012:2014 & AS/NZ 4013:2014.

## Minimum Wooden Frame Out

Minimum wooden framing details using 90mm x 45mm timber  
Please refer to pages 37 & 38 for alternative venting options.

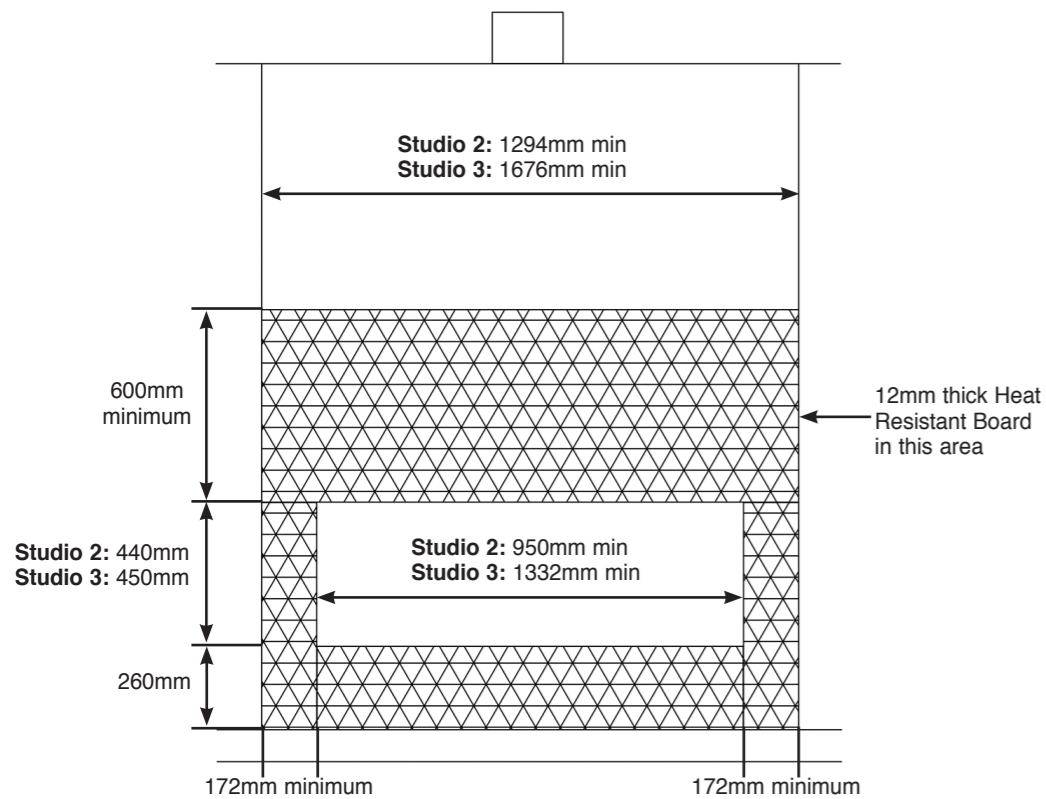


External Air Vents 2 x 100mm dia. or equivalent - at rear of frame out

Dimensions	A	B	C	D
Studio 2	1200 (min)	185	1250	600
Studio 3	1210 (min)	185	1650	600

## Internal Front Wall Lining - Non Combustible Zones

**IT IS ESSENTIAL THAT NO HEAT SENSITIVE MATERIALS ARE USED IN THE AREAS INDICATED WHEN CONSTRUCTING THE FRAME OUT.**



### Cavity Ventilation & Room Air Replacement

Refer to the full manual for details - PM1118AU Page 4

External Cavity Ventilation	2 x 100mm (External Air Vents)
Room Air replacement	2 x 125, 175 or 200mm

Heat resistant board must extend a MINIMUM of 172mm to the sides and 600mm above the appliance and be at least 12mm thick.

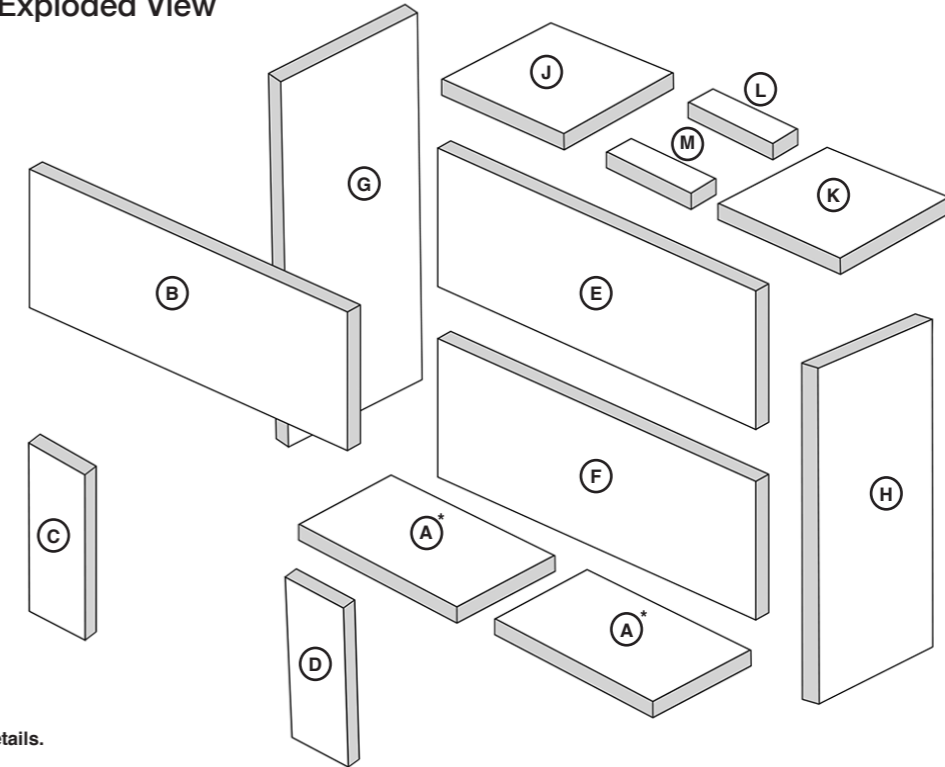
**ANY INSTALLATION WORK MUST COMPLY WITH AS/NZS 2918:2001**

**ALL INSTALLATIONS SHOULD BE CARRIED OUT BY AN S.F.A.I.T (SOLID FUEL AUTHORISED INSTALLER TECHNICIAN) OR A PLUMBER TRAINED IN THE PRODUCTS INSTALLATION. FAILURE TO DO SO WILL NEGATE ANY WARRANTY(S).**

## Hebel Heat Cell Exploded View

The following panels for the HEAT CELL are based on being cut from 1200 x 600 x 75 HEBEL Panels. Use Hebel cement or Holdfast Gorilla glue to fix panels to one another.

### Hebel Heat Cell Exploded View



\*Add vent holes see page 5  
PM1118NZ Diagram 1 for details.

## Hebel Heat Cell Cutting Schedule

There will be many alternative cutting schedule scenarios able to be incorporated depending on individual installer preferences. The above schedule is based on one version that is the MINIMUM requirement in terms of panel spacing's and required clearance dimensions to the firebox.

Please refer to the full STOVAX installation instructions for any additional information that may be required.

Letter	Description	Studio 2	Studio 3
A	Floor slab	1 x (1200 x 600 x 75)	2 x (800 x 600 x 75)
B	Front Top Panel	1 x (1050 x 525 x 75)	2 x (725 x 525 x 75)
C & D	Front Face Panels	2 x (543 x 53 x 75)	2 x (543 x 58 x 75)
E	Back Panel	1 x (1050 x 600 x 75)	1 x (725 x 534 x 75)
F	Back Panel	1 x (1050 x 543 x 75)	1 x (725 x 534 x 75)
G & H	Side Panels	2 x (1143 x 600 x 75)	2 x (1068 x 600 x 75)
J & K	Top Lid Panels	2 x (475 x 600 x 75)	2 x (675 x 600 x 75)
L	Front Lid Make Up Panel	1 x (250 x 125 x 75)	1 x (250 x 127 x 75)
M	Rear Lid Make Up Panel	1 x (250 x 320 x 75)	1 x (250 x 320 x 75)

### Cavity Ventilation & Room Air Replacement

Refer to the full manual for details - PM1118AU Page 4

External Cavity Ventilation	2 x 100mm (External Air Vents)
Room Air replacement	2 x 125, 175 or 200mm