

# STOVAX

*Fire Your Imagination*

## Studio 2 Clean Air In-Built Convector and Zero Clearance Freestanding models



## Instructions for Servicing & Maintenance For use in NZ (New Zealand)

These products are tested in accordance with AS/NZ 4012:2014, AS/NZ 4013:2014 and AS/NZ 2918:2001 and comply with the NZ NES and ECAN Emissions requirements.

All installations must be carried out by an S.F.A.I.T (Solid Fuel Authorised Technician).

In New Zealand, the Studio must be bolted through to the AAC Block or base to comply with the seismic restraint provisions of AS/NZ 2918:2001

### **IMPORTANT**

**THE OUTER CASING, FRONT AND GLASS PANEL BECOME EXTREMELY HOT DURING OPERATION AND WILL RESULT IN SERIOUS INJURY AND BURNS IF TOUCHED. IT IS THEREFORE RECOMMENDED THAT AN APPROVED FIREGUARD IS USED IN THE PRESENCE OF YOUNG CHILDREN, THE ELDERLY OR INFIRM.**

**CAUTION: THIS APPLIANCE SHOULD BE MAINTAINED AND OPERATED AT ALL TIMES IN ACCORDANCE WITH THESE INSTRUCTIONS.**

Keep them in a safe place for future reference and when servicing the fire.

# Contents

## Riva Studio Cassette - In-Built Convector

Covering the following models:

RVST-2NZ

<b>Maintenance &amp; Servicing</b> .....	<b>3</b>
Annual Service .....	3
Removal of Internal Parts.....	4
Fitting A New Door Seal .....	4
Adjusting Door Hinges.....	5
Adjusting the Door Catch .....	5
<b>Spare Parts List</b> .....	<b>7</b>
<b>Service Records</b> .....	<b>9</b>



### Warranty

For purchases outside of the United Kingdom, Republic of Ireland, France, Belgium and the Netherlands, please consult your Stovax retailer for the warranty available in your region.

The Riva Studio 2 NZ has been authorised by the Environment Canterbury as meeting the emissions and efficiency criteria. Ecan Authorisation Number: 133649

# Maintenance & Servicing

## 1. Annual Service

1.1 Before the start of the heating season strip, inspect and clean the appliance as detailed:

—Allow appliance to cool.

—Remove all internal parts: baffle, (s) log guard and firebricks (see *Installation Instructions, Pre-Installation Sections 3, 4, 5 & 6*). Take care handling firebricks as they can become fragile after a period of use.

—Sweep the appliance at this point if necessary.

—Vacuum clean any remaining ash and debris from the inside of the appliance. Stovax offer a filter/collection attachment for vacuum cleaners to protect them from fire ash: Ash Clean (Stovax Part No. 2091).

—Check the parts for any damage. Replace any damaged parts using genuine Stovax replacements parts.

— Check and clean the firebricks with a soft brush.

Some surface damage will occur during use. The life of the bricks will depend on the type of fuels burnt and the level of use. **Replace damaged bricks as soon as possible.**

—**Do not use acidic cleaners on printed glass.**

— Re-fit cleaned internal parts.

— **Do not use cleaning agents that have a high alkaline content, for example Stovax Gel Cleaner, on appliances with painted glass. These are abrasive cleaning agents that are designed to be used with heavily stained clear glass. Use Stovax Glass Cleaner (Stovax No.4103) on more delicate surfaces.**

**Do not use abrasive cleaners to remove tar or soot deposits from the glass.**

—Fit new door rope seal (see Maintenance and Servicing, Section 4).

—Lightly oil the door catch mechanism and hinge pins. Avoid getting oil onto the door seals and glass.

—To refresh painted finishes use Stovax Riva Midnight black paint.

1.2 Use genuine Stovax replacement parts to keep the appliance in safe, efficient working order.

1.3 For more information about the Stovax Group products please visit our web site at: **www.stovax.com**

1.4 Burn at a low temperature for the first day of use after any maintenance. This allows the seals, fixing glues and paint to fully cure.

1.5 During this time the appliance may give off some unpleasant odours. Keep the room well ventilated to avoid a build-up of fumes.

1.6 Your Stovax dealer can carry out service and maintenance.

This is a list of the maintenance products that may need be required:

Task	Product name
<b>Preventing build-up of creosote in flue</b>	Protector (15 sachets)
	Protector (1kg tub)
<b>Sealing flue pipe joints</b>	Fire Cement (500g tub)
	Fire Cement (600g cartridge)
<b>Re-painting</b>	Touch Up Paint (150ml aerosol)
<b>Protecting your hands</b>	Heat resistant leather gloves
<b>Door sealing rope</b>	16x10 Flat Rope Handy Pack
	Ø13 Rope Seal Handy Pack
	16x10 Flat Rope 25m Roll
	Ø13 Rope Deal 25m Roll
<b>Thermic seal glue</b>	(50ml bottle)
<b>Ash Clean</b>	Vacuum Cleaner Attachment

These products, available online at **www.stovax.com** or from your local Stovax dealer, along with regular maintenance and use of correct fuels, will keep the appliance in the best possible condition.

# Maintenance & Servicing



**Note:** In order to service the Freestanding models it will be necessary to at least partially remove the Zero Clearance Box outer wrap.

For Zero Clearance Box assembly guidance see Instruction Manual PM1269NZ.

## 2. Removal of Internal Parts

- 2.1 To service and maintain the good working condition of your appliance it will be necessary to remove several internal parts. Consult the installation instructions to remove the:

**Door**  
**Log Guard**  
**Firebricks**  
**Baffle Bricks**  
**Baffle Plates**  
**Flue Collar**  
**Airbar**  
**Louvres**

## 3. Fitting a New Door Glass

- 3.1 To maintain safe use of your appliance you may need to replace a damaged door glass. A replacement glass panel can be ordered which will be supplied with full fitting instructions:

Studio 2 - RVS-CE7477

## 4. Fitting a new Door Seal

- 4.1 To maintain the safe use of your appliance you need to replace damaged or worn door sealing rope. To complete this operation remove the door see Section 2 Removal of The Door in the Pre-Installation section of the Installation manual.

- 4.2 Remove the old rope and scrape old glue from the locating groove. Clean the locating groove with a clean dry cloth to remove all old dust and debris.

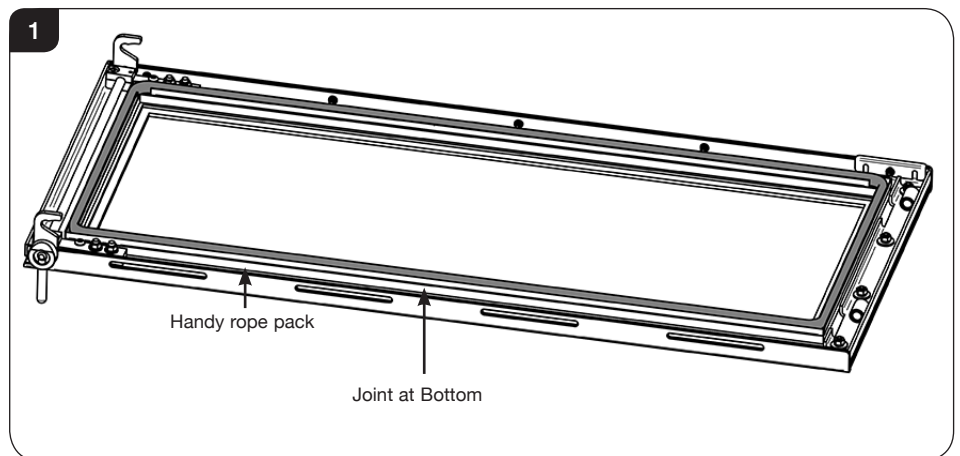
- 4.3 Squeeze a generous bead of fresh Stovax Thermic Seal glue into the rope locating groove.

Press the new Stovax rope into the locating groove, placing the joint in the middle of the top edge of the door using tape supplied for the ends.

- 4.4 Refit the door and close the door to apply pressure to the new rope.

Leave the appliance closed for at least 12 hours before lighting the appliance and using at a low output for approximately one day.

- 4.5 Using the appliance with a damaged door seal can cause dangerous fumes to enter the room, or the appliance to over fire, resulting in damage.



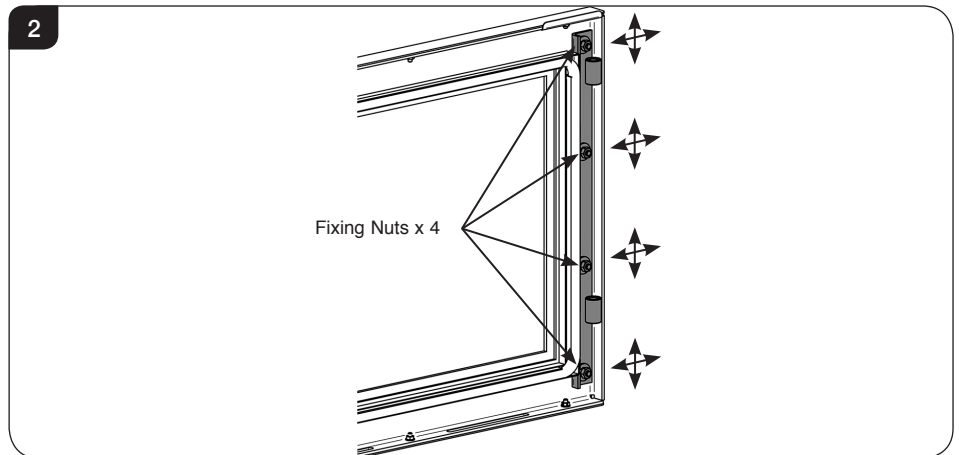
# Maintenance & Servicing

## 5. Adjusting Door Hinges

- 5.1 To maintain the safe use of your appliance, you may need to adjust the door hinges to ensure the safe, correct closing of the door. The door must be horizontal/level with the top of the inner box and the door catch engages correctly.
- 5.2 Adjustment is possible in 2 places:  
Door Hinge Assembly  
Hinge Blocks on Inner Box
- 5.3 Open the door to give access to these 2 positions.

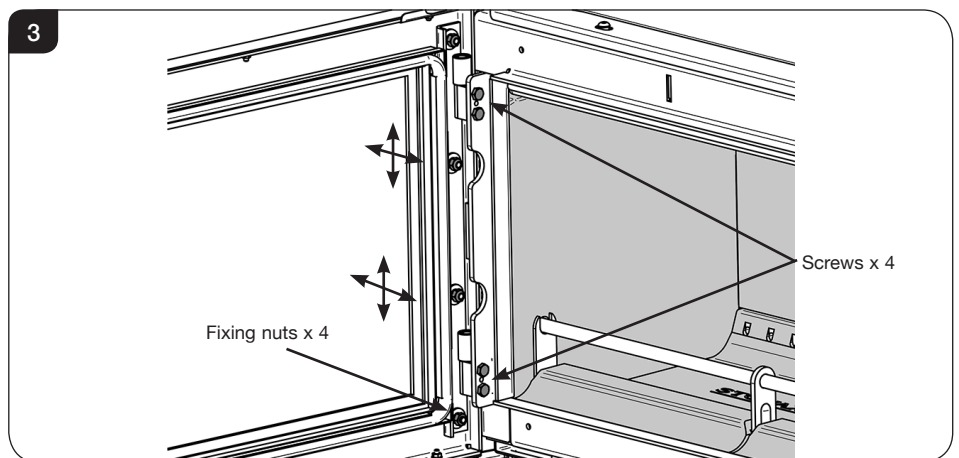
### Door Hinge Assembly

- 5.4 Use a 10mm socket to slightly loosen the fixing nuts on the Door Hinge Assembly, see Diagram 2.
- 5.5 Loosening the Door Hinge Assembly allows for fine vertical and horizontal adjustment of the door position. This may require a trial and error approach to find the correct position. Ensure the door is horizontal before tightening the fixing nuts.



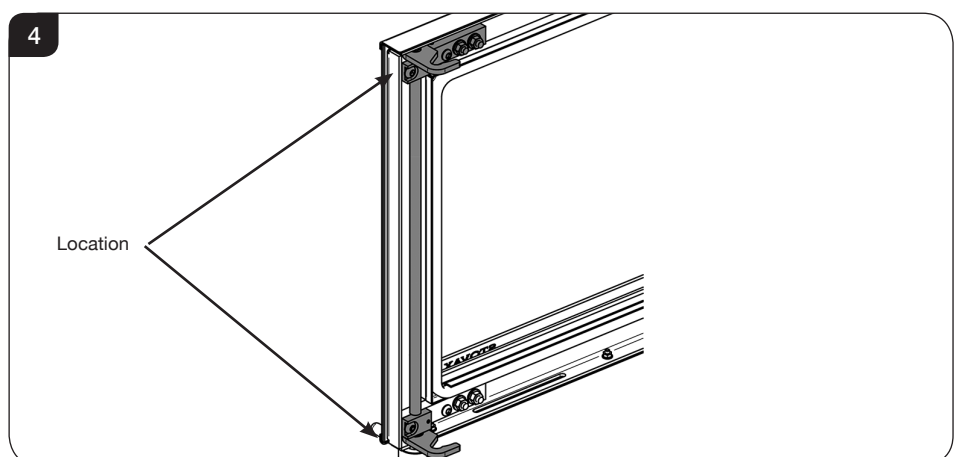
### Hinge Blocks on Inner Box

- 5.6 Using a 10mm A/F spanner slightly loosen the fixing nuts inside the stove as shown in Diagram 3. This will give vertical and horizontal adjustment which may need a trial and error approach to find the correct position. The door must be horizontally level.



## 6. Adjusting the Door Catch

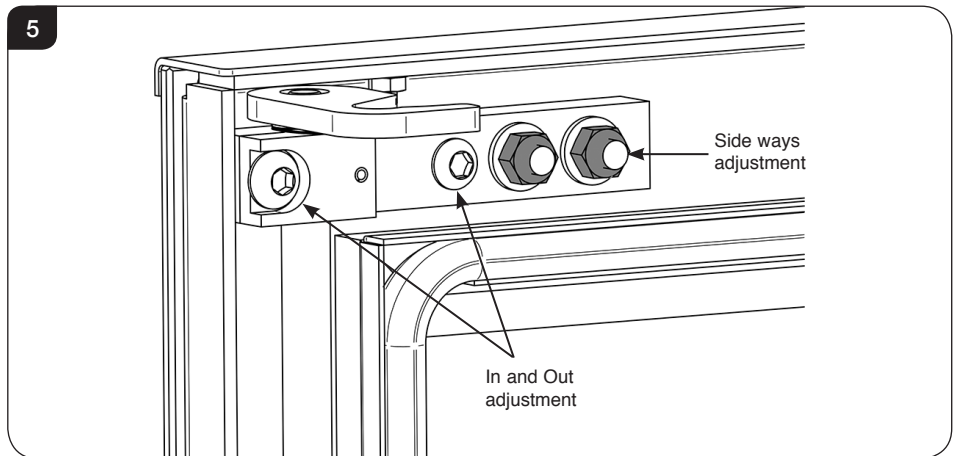
- 6.1 To maintain the safe use of your appliance you may need to adjust the door catch to ensure the safe, correct closing of the door. If the door hinges have been adjusted the door catch may need adjustment.
- 6.2 The catches are located at the top and the bottom of the right side of the door.



# Maintenance & Servicing

6.3 The top and bottom catches will need to be adjusted separately and in the same manner.

The catch block can move in two directions, see Diagram 5, 6 & 7.



### Sideways Adjustment

Using a 10mm A/F Spanner loosen the 2 nuts that hold the catch block to the door.

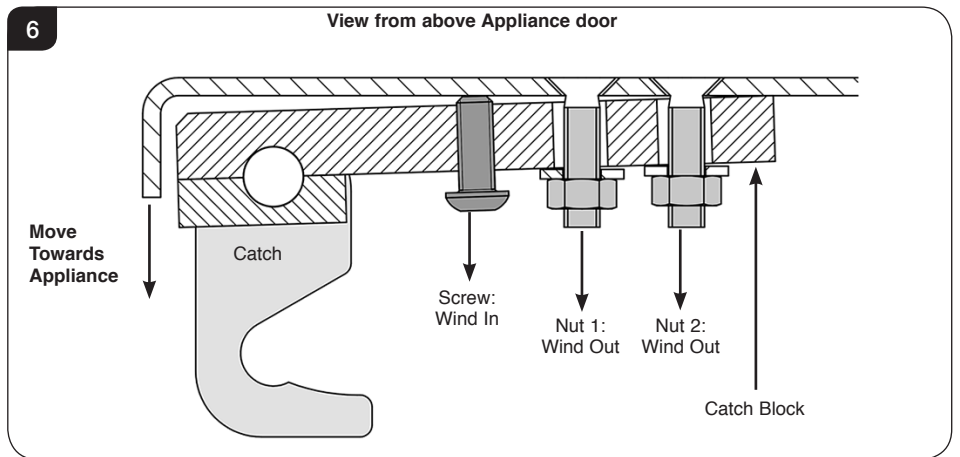
**Do not remove the nuts completely.** This will allow some movement left or right to suit.

Tighten the nuts and recheck the catch operation.

### In and Out Adjustment

Loosening or tightening the M6 screw and the nuts on the catch block will cause the catch to move in or out from the door and allow the hook to gain better purchase on the door rollers.

**Do not remove screw or nuts completely.**



### 6.4 To move Door Catch in:

Loosen Nuts 1 & 2.

Wind screw **IN** until the Door Catch is in desired position.

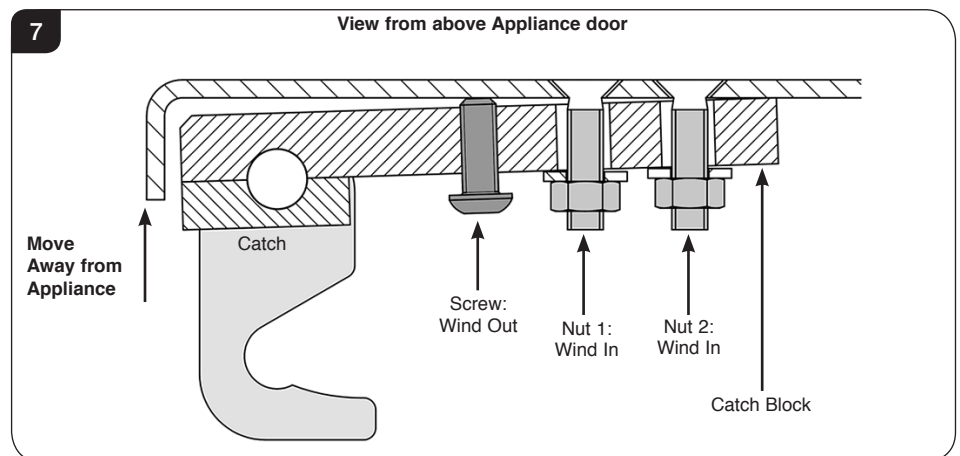
Tighten Nuts 1 & 2 down to Catch Block.

### 6.5 To move Door Catch out:

Loosen Nuts 1 & 2.

Wind screw **OUT** until the Door Catch is in desired position.

Tighten Nuts 1 & 2 down to Catch Block.



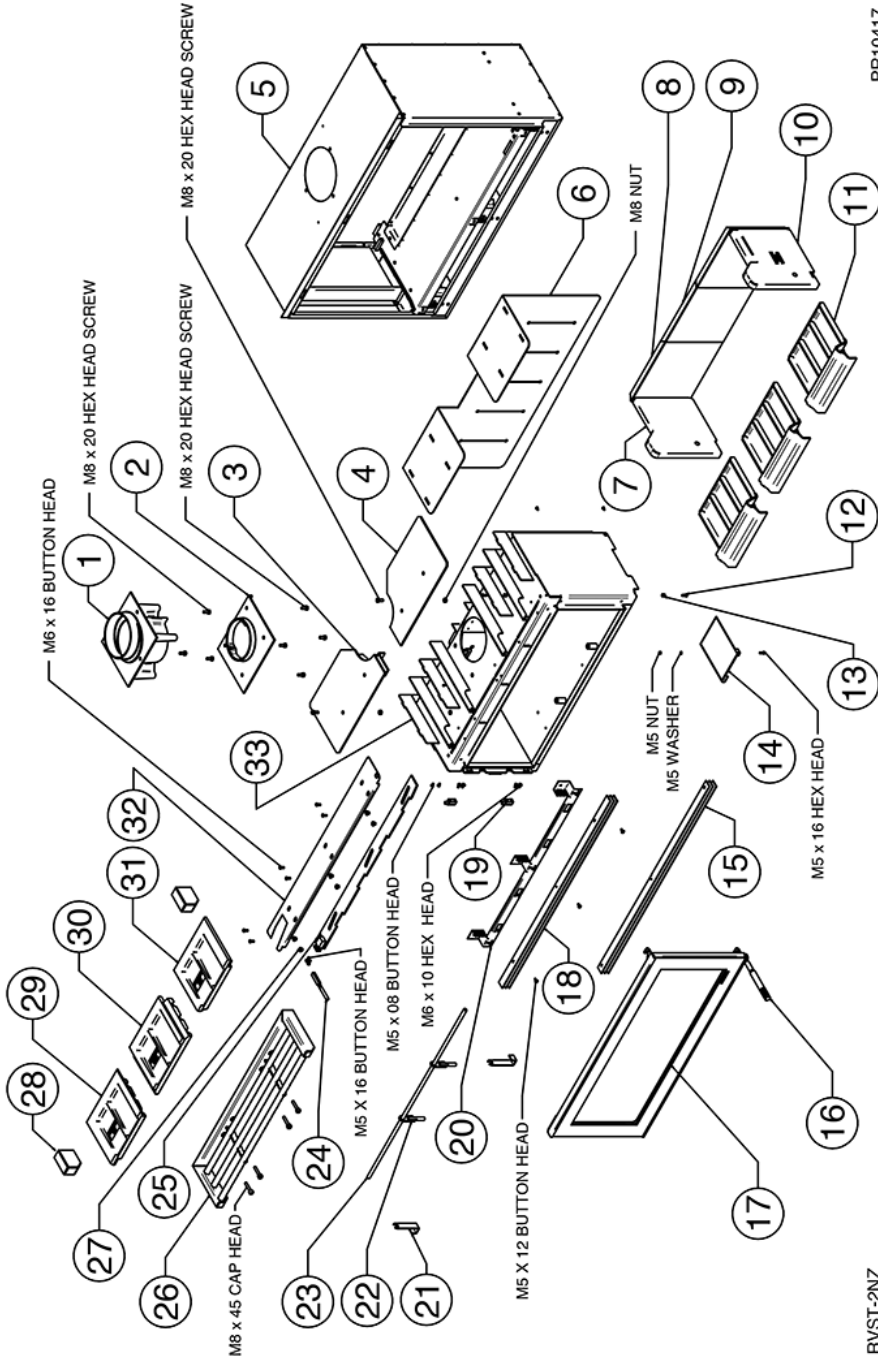
## Do a Paper Test

To do a paper test shut a piece of paper in the door at the edges to test how well the rope seal stops the air from entering the appliance. If the paper can be pulled out easily then the seal is not sufficient and the rope must be replaced. Repeat this around all the edges of the stove.

Tighten the top and bottom screws and recheck the catch operation

# Basic Spare Parts

## RVS-2 RIVA STUDIO 2



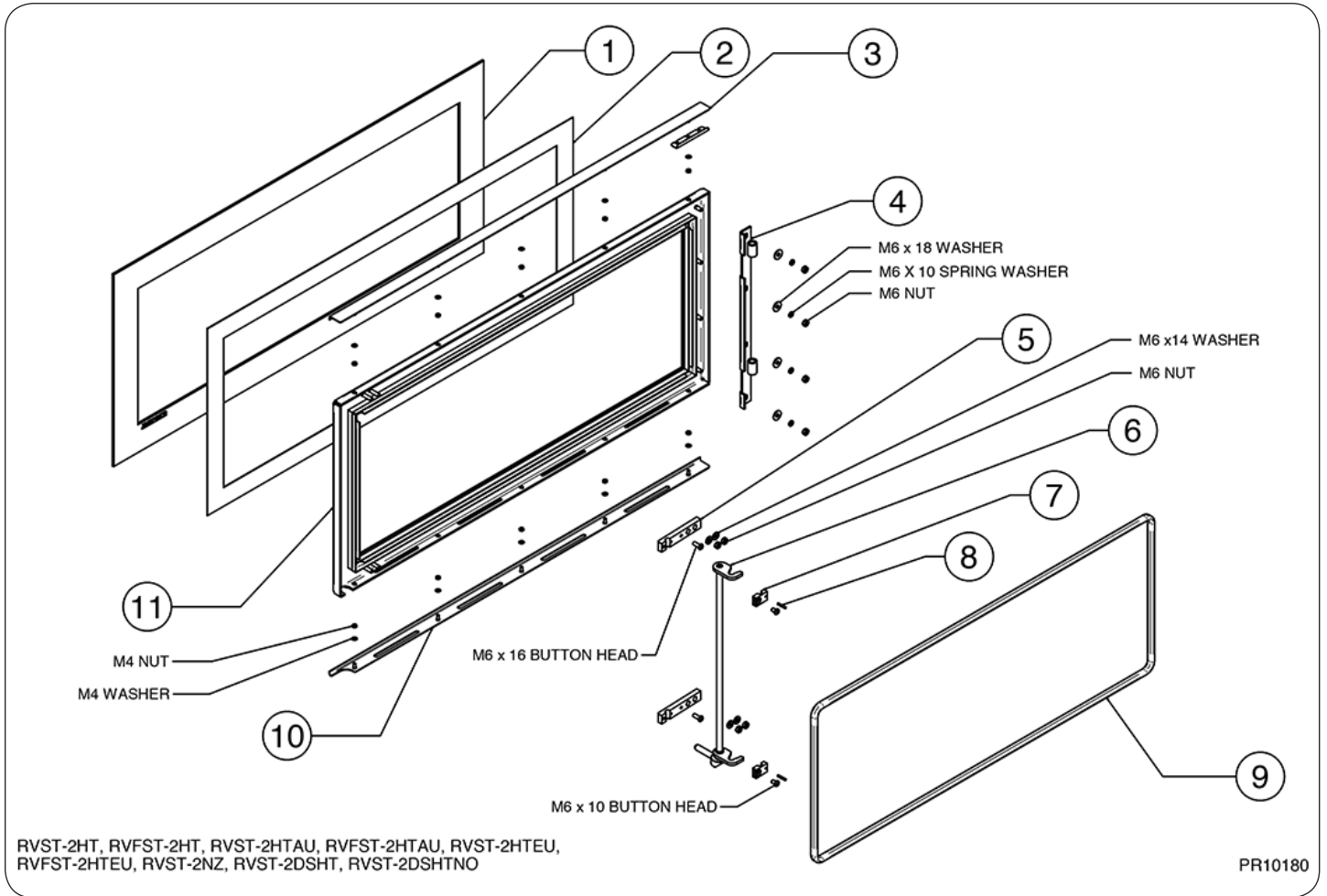
Ref. No.	Description
1	TOP COLLAR
2	LOWER COLLAR
3	BAFFLE ASSEMBLY LH
4	BAFFLE ASSEMBLY RH
5	OUTER BOX ASSEMBLY
6	INNER BOX EXTERNAL BAFFLE
7	BRICK SIDE LH
8	BRICK REAR LH/RH
9	BRICK SIDE CENTRE
10	BRICK SIDE RH
11	STEEL BASE BRICK
12	CATCH ROLLER PIN
13	CATCH ROLLER
14	DATA PLATE MOUNT
15	VENT FIN (LOWER)
16	TOOL HANDLE
17	DOOR ASSEMBLY
18	VENT FIN (UPPER)
19	TOP VENT BRACKET
20	HINGE BLOCK ASSEMBLY
21	LOG BAR END SUPPORT
22	LOG BAR SUPPORT ASSEMBLY
23	LOG BAR
24	AIRWASH HANDLE
25	AIRWASH SLIDER NZ
26	AIR BAR ASSEMBLY
27	AIRWASH SPACER
28	BAFFLE BRICK INFILL
29	BAFFLE BRICK LH
30	BAFFLE BRICK CENTRAL
31	BAFFLE BRICK RH
32	AIRWASH SLIDER COVER
33	INNER BOX

Due to continual technical improvements please check with your Stovax retailer for the most up to date parts lists.



# Basic Spare Parts

## DOOR ASSEMBLY



Ref. No.	Description
1	STUDIO 1 DOOR GLASS
2	GLASS ROPE
3	TOP GLASS CLAMP ASSEMBLY
4	HINGE ASSEMBLY
5	LOWER CATCH BLOCK
6	DOOR CATCH ASSEMBLY
7	UPPER CATCH BLOCK
8	SPIROL PIN Ø3 X 18LG
9	DOOR ROPE
10	DOOR FRAME ASSEMBLY
11	BOTTOM GLASS CLAMP

Due to continual technical improvements please check with your Stovax retailer for the most up to date parts lists.



# Service Records

## 1ST SERVICE

Date of Service:.....

Next Service Due:.....

Signed:.....

Dealer's Stamp/SFAIT Registration Number

## 3RD SERVICE

Date of Service:.....

Next Service Due:.....

Signed:.....

Dealer's Stamp/SFAIT Registration Number

## 5TH SERVICE

Date of Service:.....

Next Service Due:.....

Signed:.....

Dealer's Stamp/SFAIT Registration Number

## 7TH SERVICE

Date of Service:.....

Next Service Due:.....

Signed:.....

Dealer's Stamp/SFAIT Registration Number

## 9TH SERVICE

Date of Service:.....

Next Service Due:.....

Signed:.....

Dealer's Stamp/SFAIT Registration Number

## 2ND SERVICE

Date of Service:.....

Next Service Due:.....

Signed:.....

Dealer's Stamp/SFAIT Registration Number

## 4TH SERVICE

Date of Service:.....

Next Service Due:.....

Signed:.....

Dealer's Stamp/SFAIT Registration Number

## 6TH SERVICE

Date of Service:.....

Next Service Due:.....

Signed:.....

Dealer's Stamp/SFAIT Registration Number

## 8TH SERVICE

Date of Service:.....

Next Service Due:.....

Signed:.....

Dealer's Stamp/SFAIT Registration Number

## 10TH SERVICE

Date of Service:.....

Next Service Due:.....

Signed:.....

Dealer's Stamp/SFAIT Registration Number







Head Office & Showroom  
12 Tawari Street  
Mt Eden, Auckland, New Zealand  
+649 623 6990  
thefireplace.co.nz

Manufactured by

**Stovax Ltd, Falcon Road, Sowton Industrial Estate, Exeter, Devon, England EX2 7LF**

**Tel: (01392) 474011 Fax: (01392) 219932 E-mail: info@stovax.com www.stovax.com**

**E & O E**



Adapted from English Issue 12

