

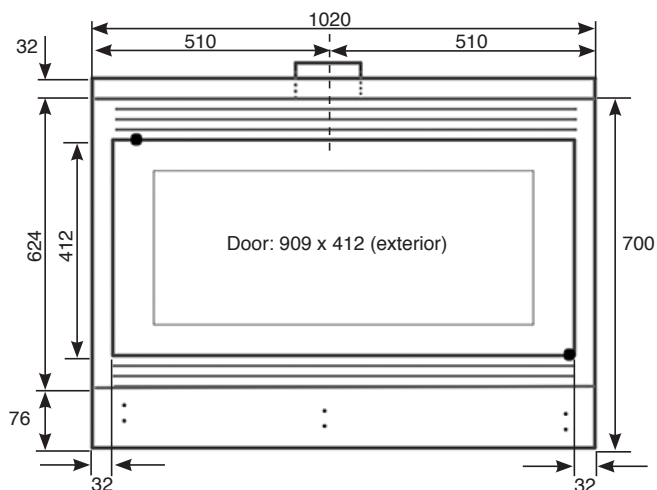


Studio 2 Clean Air (NZ)

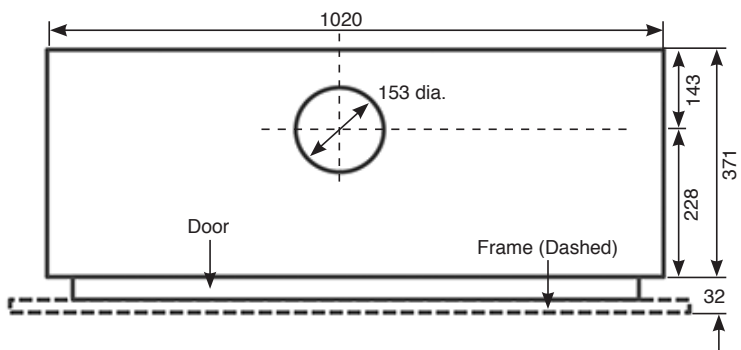
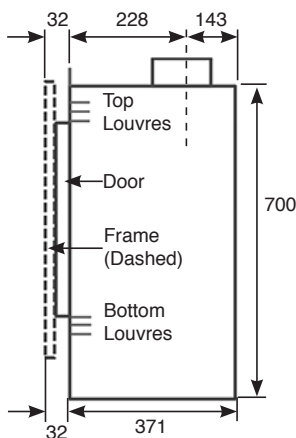
Information Sheet for Builders & Designers

- covers In-Built and Freestanding Zero Clearance Box Installations

Appliance Information



i NOTE: Installation into a Zero Clearance box will increase the overall dimensions of the appliance. See Page 4 and consult PM1269NZ for size and assembly details.



Technical Specification

Model: Studio 2 Clean Air (NZ)		Studio 2 (NZ)
Nominal Heat Output	kW	12
Room Heating Capacity	m ³	210
Particulate Emissions	g/kg	1
Efficiency	%	66%
Weight	Kg	160
Recommended Fuels	Seasoned Wood (less than 20% moisture content) Softwood	
ECAN Approval Number	133649	
Standards Approved to:	AS/NZ 4012:1999, AS/NZ 4013:1999, AS/NZ 2918:2001	

Installation Instructions - In Built AAC Block Installation

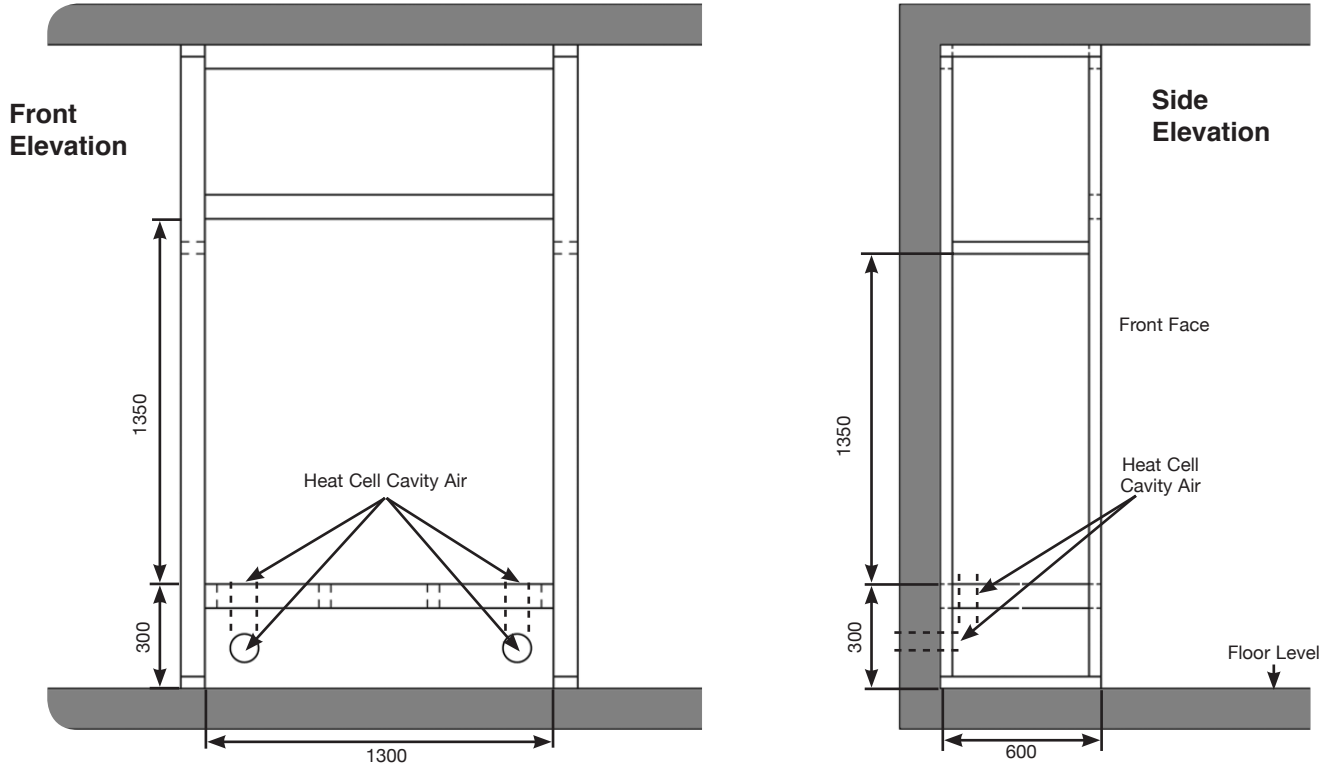
Minimum Timber Frame Out

The following details are the absolute minimum required based on using 90 x 45 framing

Cavity Ventilation

Refer to the full manual for details - PM1060 Page 30 for more details

External Cavity Ventilation 2 x 100mm (External Air Vents)



AAC Block Cutting Schedule

Panels required using 1200 x 600 x 75mm board

Please refer to the full STOVAX installation instructions for any additional information that may be required.

Board Position	Quantity	AAC Block (mm)
Floor Slab	2	650 x 600
Top Front Panel	1	1150 x 490
Front Face Panels	2	710 x 65
Back Panels	2	1150 x 600
Side Panels	2	1200 x 600
Top Lid Panels	2	500 x 600
Front and Rear Lid Makeup Panels	2	300 x 100

For a full masonry walled construction, access MUST be provided to enable the installation of the flue prior to final closing in and finishing.

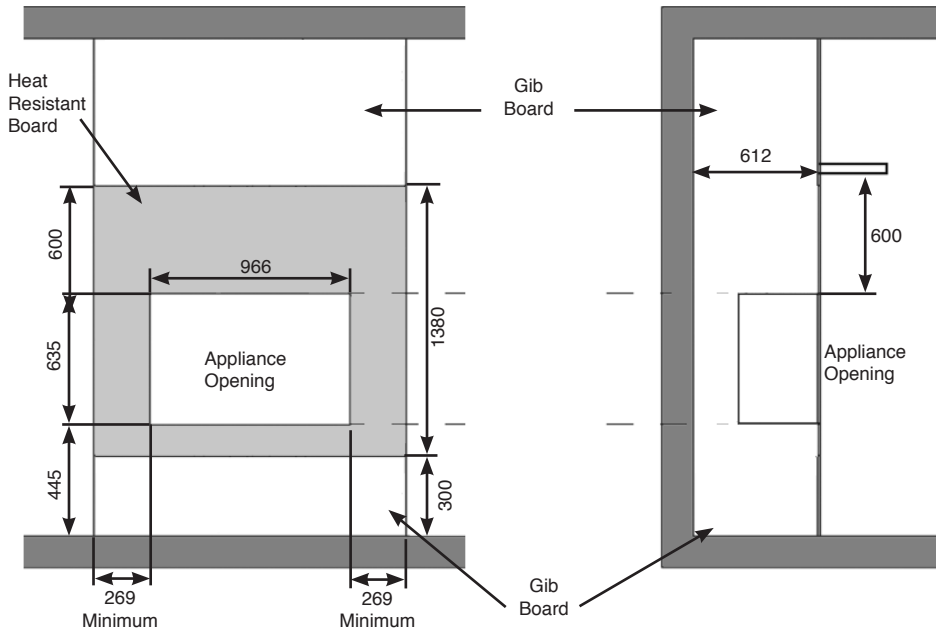
Installation Instructions - In Built AAC Block Installation

Internal Front Wall Lining - Non Combustible Zones

- The appliance can be installed in a timber frame out.
- The following details are the absolute minimum required based on using 90 x 45 framing.
- The following dimensions are based on a standard 75mm thick AAC Block Heat Cell and wall finishing using 12mm Heat Resistant Board. If using tiles, stonework or similar provision must be made for the minimum clearances required for the bottom and top louvres.

Ventilation Options

Refer to the full Installation manual for details on Replacement Air (to the room) and Warm Air Utilisation - PM1060 Page 30

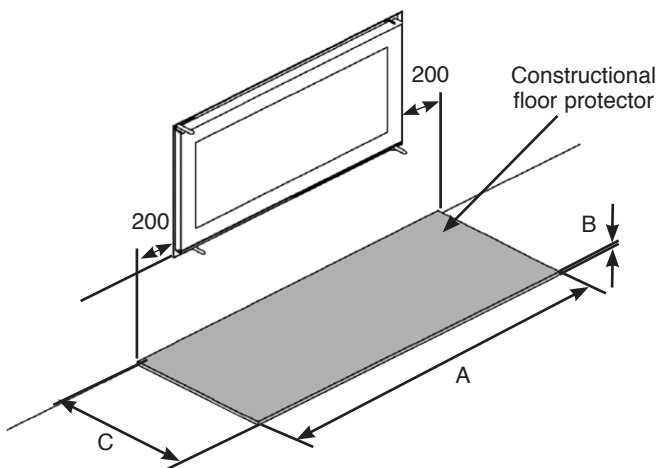


Heat resistant board must extend a MINIMUM of 269mm to the sides and 600mm above the appliance and be at least 12mm thick. Refer to full installation instructions Page 15 for recommended wall placing and join lines.

ANY INSTALLATION WORK MUST COMPLY WITH AS/NZS 2918:2001

ALL INSTALLATIONS SHOULD BE CARRIED OUT BY AN S.F.A.I.T (SOLID FUEL AUTHORISED INSTALLER TECHNICIAN) OR A PLUMBER TRAINED IN THE PRODUCTS INSTALLATION. FAILURE TO DO SO WILL NEGATE ANY WARRANTY(S).

Minimum Dimensions - Floor Protector



Dimension	A	B	C
Studio 2 In-Built Convector	1350	12	300

Frame Options

Frames available for this appliance: Steel 25XS

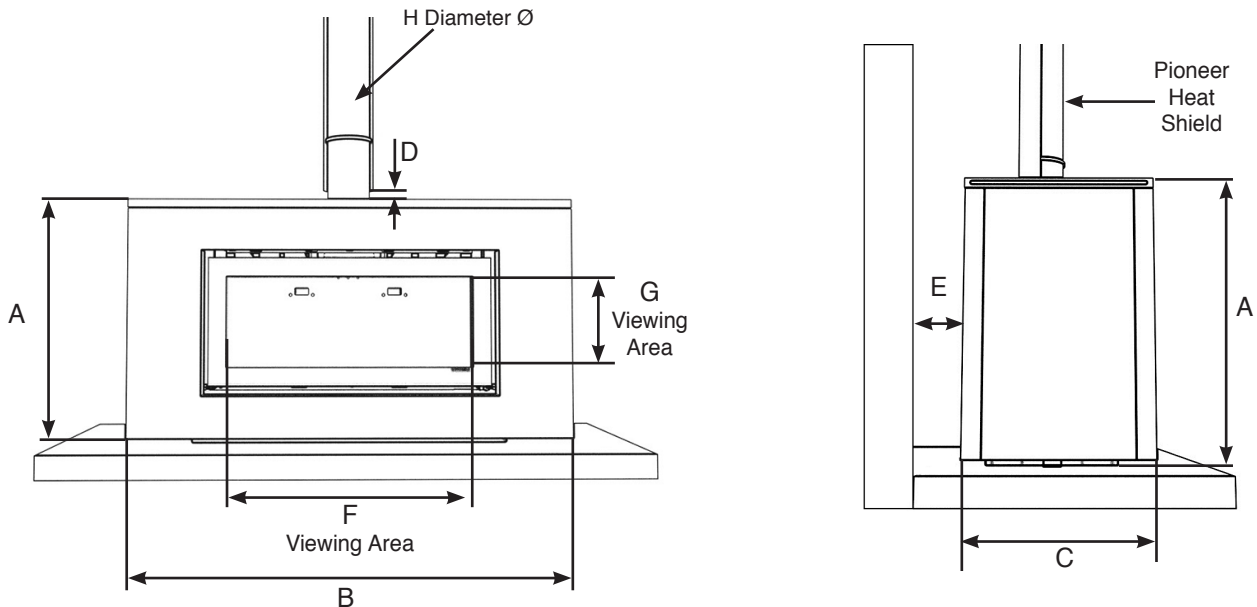
Frame Dimensions

	W x H x D
Steel 25XS Frame	1161 x 672 x 3mm

Refer to Frame Installation Manual for details (PM378)

Installation Instructions - ZCB Freestanding Installation

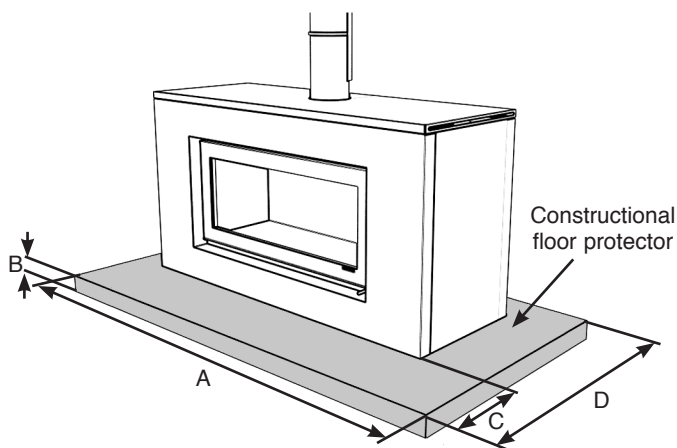
Studio Freestanding Zero Clearance Box Dimensions - including Cabinet and Rear Flue Heat Shield



Description	Model	A	B	C	D	E	F	G	H
Studio 2	RVFS-2ZCN	780	1410	515	5	100	790	290	150

All dimensions in mm. (25.4 mm = 1")

Minimum Dimensions - Floor Protector



Dimension	A	B	C*	D
Studio 2 Freestanding ZCB	1600	24	300	920

* To front of appliance

Ventilation Options

Refer to the full Installation manual for details on Replacement Air (to the room) and Warm Air Utilisation - PM1060 Page 30



IMPORTANT: INSTALLATION MUST COMPLY WITH THE REQUIREMENTS AS/NZS2918: 2001

ENSURE THAT SUFFICIENT CLEARANCES ARE PROVIDED BETWEEN THE FLUE PIPE AND ANY HEAT SENSITIVE MATERIALS IN THE FIREPLACE IN ACCORDANCE WITH THE RULES IN FORCE.

SEE FULL INSTALLATION INSTRUCTIONS FOR DETAILS



Head Office & Showroom
12 Tawari Street, Mt Eden, Auckland, New Zealand
+649 623 6990 thefireplace.co.nz



PM1058