

TYPICAL JETMASTER IN-BUILT MASONRY INSTALLATION INSTRUCTIONS - WOOD -

**INSTRUCTIONS ARE FOR INSTALLATION INTO A COMPLETE MASONRY FIREPLACE
CONSTRUCTION I.E: CAVITY AND CHIMNEY CHASE (NO COMBUSTIBLES)**

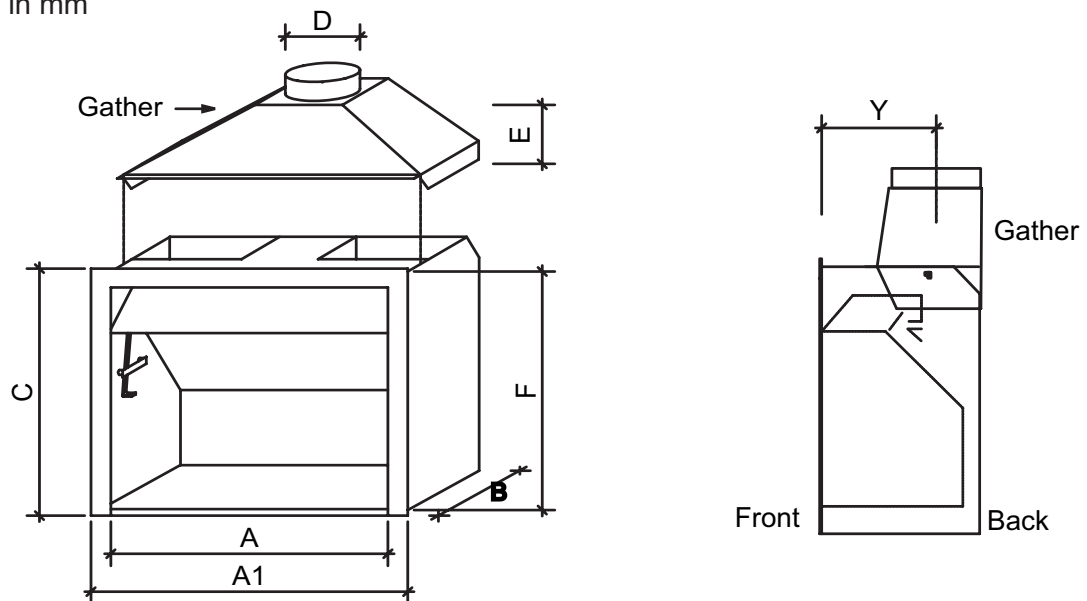
Masonry Definition: – Solid Concrete – Concrete Block – Brick – Hebel Power Panel
Consult The Fireplace Ltd or your local agent for any variation of the installation specified below

JETMASTER WOOD BOX DIMENSIONS

Table 1

MODEL	A	A1	B	C	D	E	F	Y
500	500	600	350	650	200/300	200	630	245
600	600	700	350	650	200/300	200	630	245
700 SH	700	800	350	650	200/300	200	630	340
700 SH L	700	800	350	600	200/300	200	580	340
700 D	700	800	400	700	225/325	200	680	295
850 L	850	950	450	700	250/350	220	680	322
1050 LL	1050	1150	500	700	300/400	240	680	345
1200	1200	1300	600	1020	400/500	400	1000	435
1500	1500	1600	600	1020	450/550	440	1000	435

Dimensions in mm



ALL INSTRUCTIONS TO COMPLY WITH AS/NZS2918:2001

The Fireplace Ltd recommends that a trained SFAIT Installer undertakes the installation.

IMPORTANT: Read all instructions carefully before starting installation. Failure to follow these instructions may result in a fire hazard and will void the warranty. **The flue system must be cleaned every 12 months.**

ALERT: For Outdoor Jetmaster fires into timber framing, please refer to The Fireplace for recess allowances and provision for the Stainless Steel Weather Cover.

Table 2

MODEL	A	B	Temporary Lintel	X min*	Y min*	Z min*
500U	600	515	1200	300	900	75
600U	700	500	1200	300	1000	75
700 L / SH	800	510	1200	400	1100	75
700D	800	470	1200	400	1100	75
850 L	950	530	1200	450	1250	75
1050LL	1150	565	1200	600	1450	75
1200	1300	785	1500	750	1600	75
1500	1600	800	1500	850	1900	75

PLAN VIEW

Fig. 1

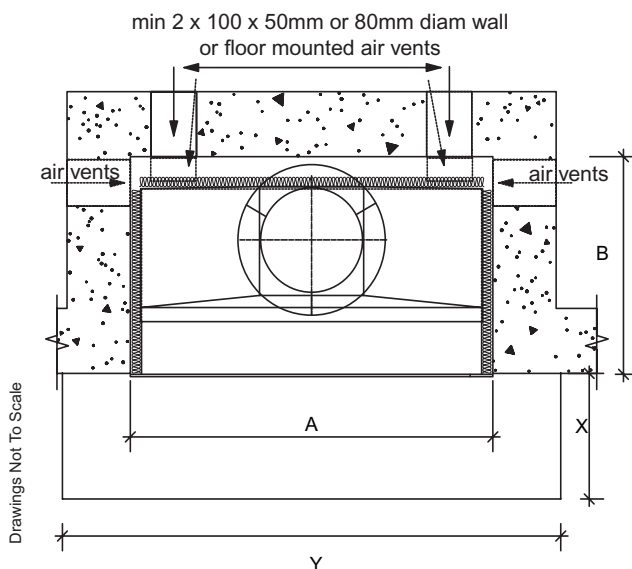
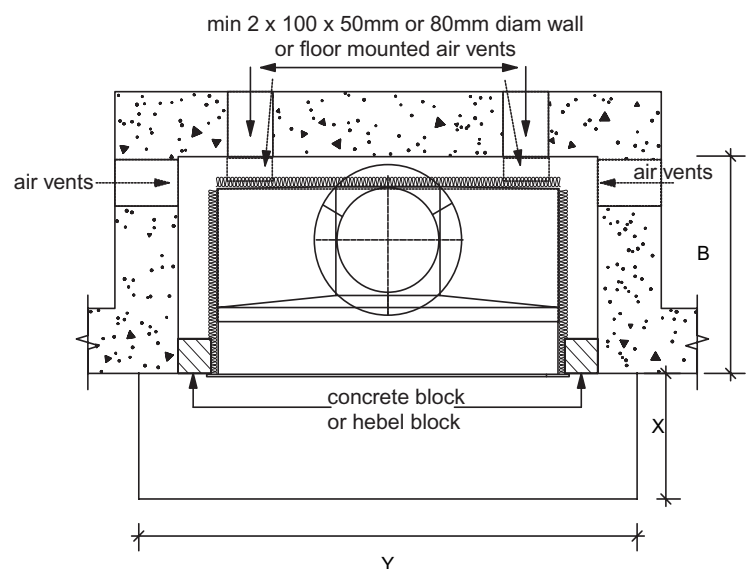


Fig. 2



* A minimum 75mm thick Floor protector is only required if finished surface is combustible e.g: timber, carpet, tiles

Please note that these dimensions (based on Masonry margins) are the absolute minimum sizes - widths (A & B) maybe increased if desired. If you intend on recessing the firebox, please add the recess value to Dimension 'B'.

MAXIMUM RECESS = 100mm

It is important to ensure the Jetmaster firebox is seated at the required finished floor protector level.

WARNING: Minimum cavity sizes leave NO MARGIN FOR ERROR (see Fig. 1). If the cavity is larger than minimum dimensions (A & B) close up the lateral sides (see Fig. 2) using hebel block, concrete block or similar (do not use any combustible material).

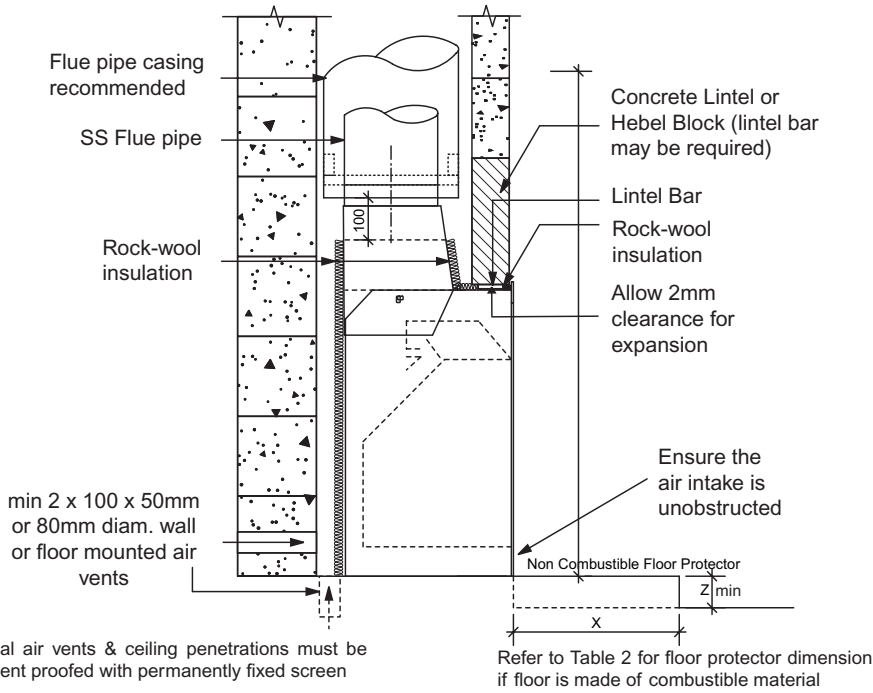
CAVITY/FRAMING PREPARATION

Refer to Table 2 for the minimum cavity dimensions and temporary lintel height measurements, until the firebox and flue system is installed. **Note:** Temporary lintel height is measured from finished floor protector level.

Ensure suitable air vents (min. 2 x 80mm diameter or equivalent) in place to vent firebox space - these maybe located in the floor or in the side wall space; make allowance (min. 2 x 80mm diameter or equivalent) at the top of the chimney chase, See Fig. 3 or Fig. 4. Ensure vents are bird and vermin proofed.

Note: Wood Installations can be converted to Gas at a later date. Consider running a gas supply to firebox cavity at the time of construction.

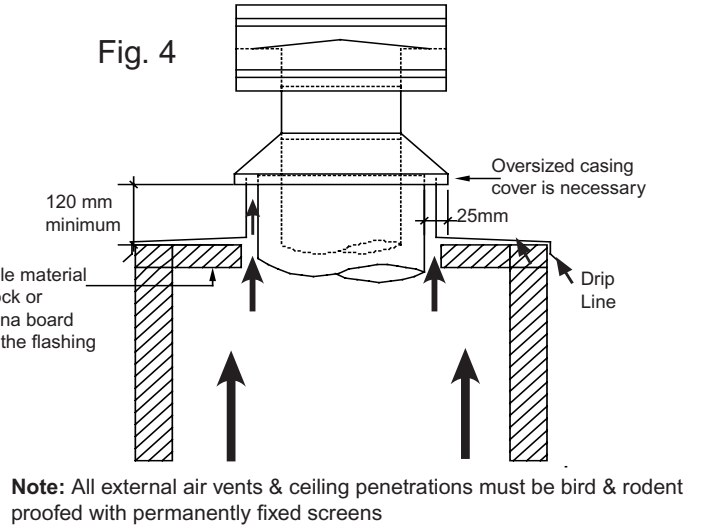
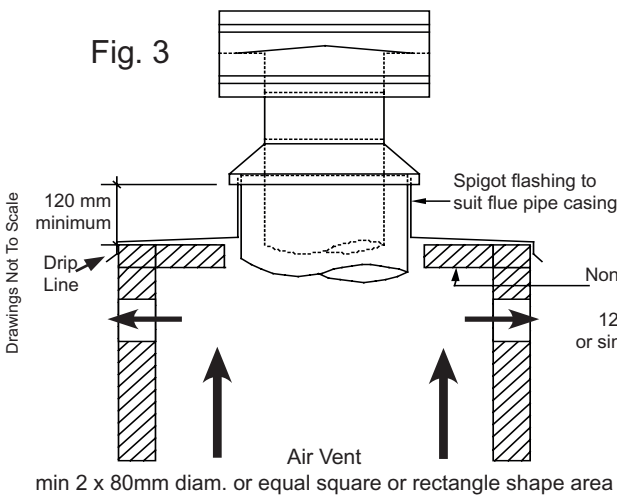
Drawing Not To Scale



CHIMNEY CHASE AIR VENTILATION

Air Ventilation Through Chimney Chase

Air Ventilation Through Top Flashing



AIR REPLACEMENT PREPARATION

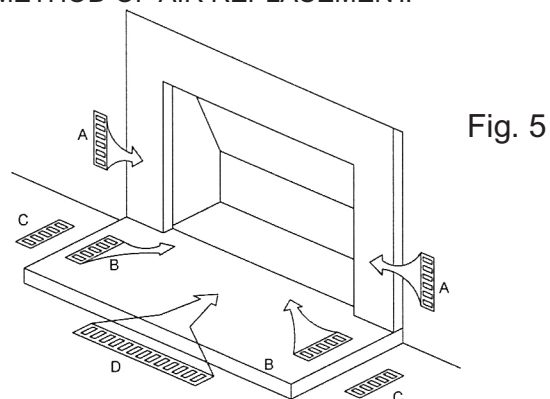
The Fireplace Ltd specifies that allowances **MUST** be made for air replacement vents to be located near the fireplace, to aid combustion and reduce the insistance of back venting. Refer below for air vent sizing and suggested location. Fig. 5 - Location points A,B,C,D are suggested combinations. A minimum of **one pair** of air vents is recommended or one large vent, as per location point D. Allowance to be made for minimum 2 inlet ducts from outside to internal vent location.

Note: DO NOT USE FIREPLACE CAVITY VENTILATION AS A METHOD OF AIR REPLACEMENT.

Table 3

MODEL	MINIMUM VENT SIZE (x2)	
	Square Design (L x H)*	Rectangle Design (L x H)*
500 - 700	100 x 100	200 x 50
850	125 x 100	250 x 50
1050	150 x 100	250 x 100
1200	200 x 175	350 x 100
1500	200 x 200	400 x 100

* Internal Dimension only, does not include vent flange



FIREBOX INSTALLATION

1. Locate and position firebox, fit and seal gather in cavity using fire cement (exhaust cement) and bolts (supplied), to the firebox. Note: Pop rivet back of gather to firebox if required (refer to Cross Section). Earthquake restraints may be positioned by drilling through firebox into the floor protector, in a position midway beneath the log-pan. Two 6mm dynabolts or similar will suffice. Do not over tighten and deform firebox.
2. Attach rock wool (supplied) to the sides of the firebox and gather (using fire cement). **DO NOT BLOCK OFF** the air entry between the inner flue pipe and flue pipe casing or the air circulation between the vent holes in the cavity.
3. Refer to Table 2, for minimum hearth sizes.

FLUE INSTALLATION

1. Install first length of flue pipe crimped end down, inside gather collar. Rivet flue pipe in 3 places around gather collar. Place bottom flue spacer bracket around gather flue pipe collar, secure in position by tightening up coach bolt/screw (supplied).
2. Install second length of the flue pipe crimped end down and fix by riveting in at least 3 places around the flue pipe joint.
3. Install first length of the flue pipe casing by positioning on installed bottom flue spacer bracket crimped end up.
4. Position flue spacer at the flue pipe joint.
5. Repeat steps 1 - 4 to the required flue height. As per AS/NZS2918:2001 4.9.1
 - a. "the flue pipe shall extend not less than 4.6m above the top floor protector".
 - b. "the minimum height of the flue system within 3m distance from the highest point of the roof shall be 600mm above that point".
 - c. "the minimum height of a flue system further than 3m from the highest point of the roof shall be 1000mm above roof penetration".
 - d. "no part of any building lies in or above a circular area described by a horizontal radius of 3m about the flue system exit".
6. The last length of flue pipe needs to extend past the flue pipe casing by at least 150mm or flush with the top of the casing cover spigot when fitted - sizing/measuring and cutting down should be carried out prior to the flue pipe casing being fitted over the flue pipe.
7. Before fitting casing cover, place the spider spacer in opposition with the spider post facing down between the flue pipe and flue pipe casing. Secure spider spacer in position. Place the casing cover over the flue pipe, press down firmly onto the spider. Check airway around the casing cover is clear, then secure in position using three stainless steel rivets.
8. Fit cowl to top of flue - **DO NOT RIVET IN POSITION**. In high wind areas, it is recommended that the cowl be secured in position with a stainless steel self tapping screw, this will enable the cowl to be removed for cleaning. **N.B. in extreme wind areas it may be necessary to consult The Fireplace Ltd or your local agent for further technical assistance Ph: 0800 843 3473**
9. If flue is concealed in a chase, allow for air vents (2 x 80mm diameter or equivalent) at the highest possible point on the chimney chase. Alternately where possible, allow a min 25mm air space between the flashing spigot and the outer casing.
Oversized casing cover is required. Refer to Fig. 3 or Fig. 4.