



TYPICAL JETMASTER FREE STANDING INSTALLATION INSTRUCTIONS WOOD / GAS

ALL INSTRUCTIONS TO COMPLY WITH GAS INSTALLATION AS/NZS 5601.1:2013 & AS/NZS 5263.0:2017

*Due to continued product improvement, The Fireplace Ltd reserves the right to change product specifications without prior notification
As per AS/NZS 5263.0:2017 2.15.2.3. - DO NOT USE AN UNLINED MASONRY CHIMNEY AS THE FLUE FOR THIS APPLIANCE*

WOOD INSTALLATION TO COMPLY WITH AS/NZS2918:2001



IMPORTANT: Read all instructions carefully before starting installation. Failure to follow these instructions may result in a fire hazard and will void the warranty.
This appliance must be serviced every 12 months by a registered gas fitter or wood installer

Fig 1,2,3,4 and Table 1,2,3 relate to installations with tested flue systems, as per **AS/NZS 2918:2001 - Appendix F**, with a ceiling angle between 0° - 30° inclusive.

Note: For installations with a ceiling angle greater than 30°, refer to Fig. 5 & 6 and **AS/NZS 2918:2001 4.6.3(b)**

Fig. 1

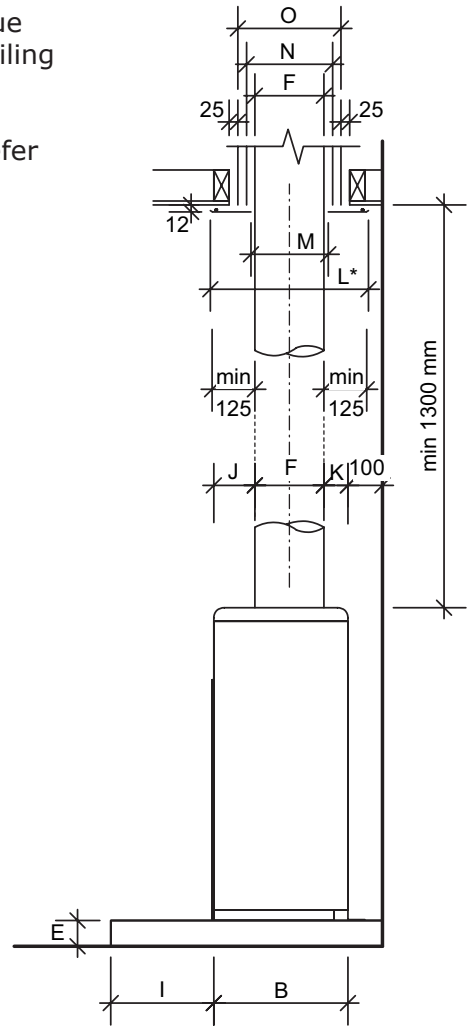
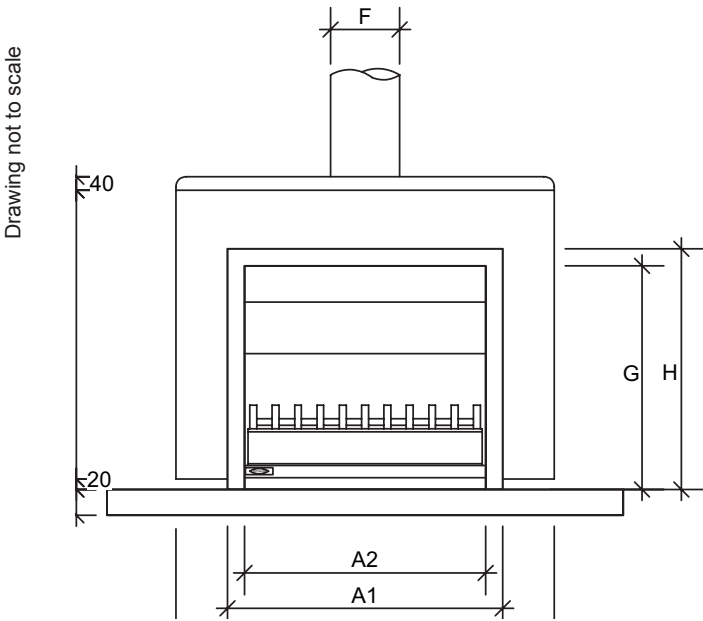


Table 1

	Solid Fuel	
	700 D	
A	1100	
A1	800	
A2	700	
B	440	
C	890	
D	830	
E	75**	
F	225	
G	650	
H	700	
I	300	
J	125	
K	90	
L*	480*	
M	250	
N	275	
O	325	

*Ceiling Plate may vary in size depending on ceiling angle. Please specify ceiling pitch prior to ordering the ceiling plate

** A minimum 75mm thickness refers only to Hebel Block. Minimum 100mm thickness required if poured concrete on heat sensitive floor. If installed on a concrete floor, suggest to differentiate the floor protector area to rest of floor surface.

Fig. 2

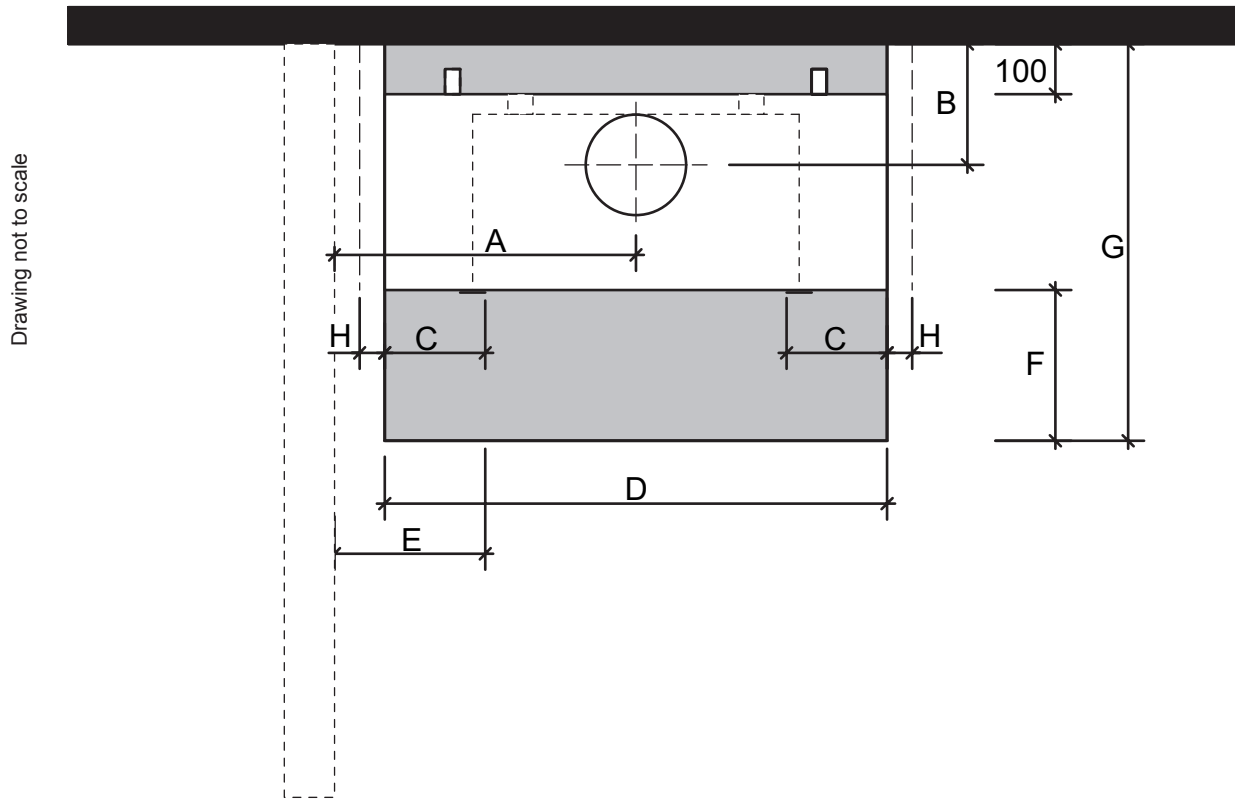


Table 2

		Solid Fuel
	Description	700 D
A	Min. distance from flue centre to side wall	650
B	Min. distance from flue centre to back wall	302.5
C	Min. distance from firebox opening to floor protector lateral side	200
D	Min. Floor Protector width	1100
E	Min. side clearance to combustibile wall	300
F	Min. Floor Protector depth	300
G	Min. overall floor protector depth	940
H	Min. side clearance to combustibile material not protruding from the front of the free standing cabinet	50

Fig. 3

Drawing not to scale

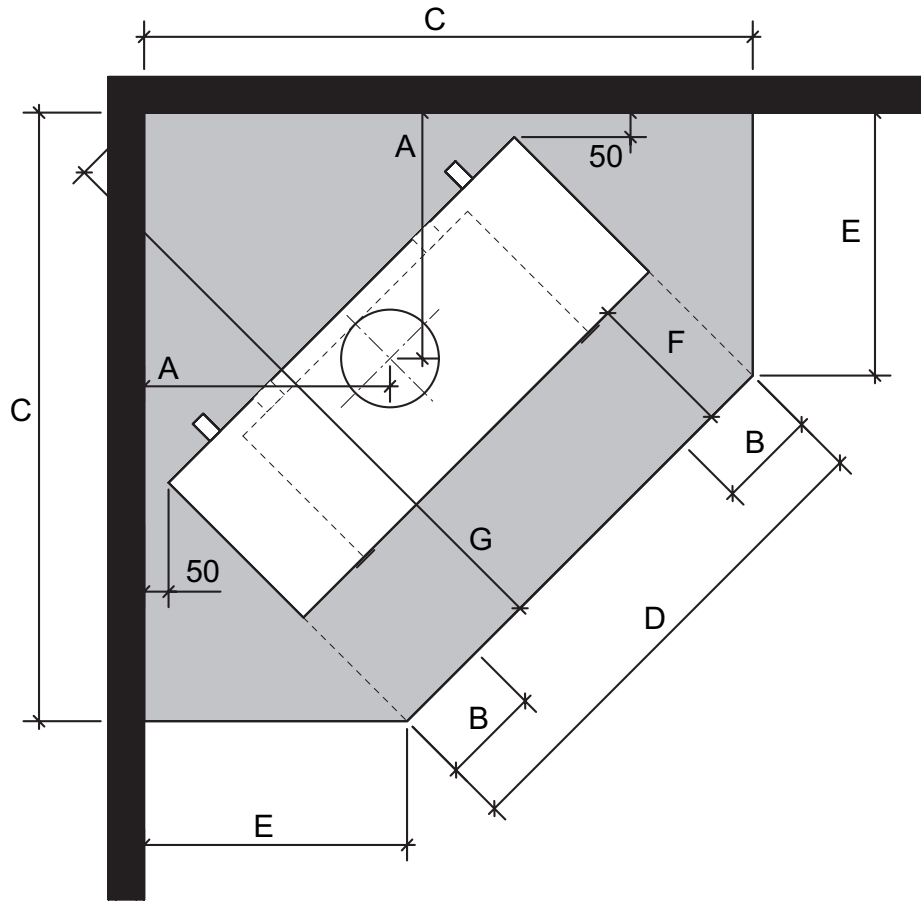


Table 3

	Description	Solid Fuel
		700 D
A	Min. distance from flue centre to side wall	582
B	Min. distance from firebox opening to floor protector lateral side	302.5
C	Min. floor protector dimension	1422
D	Min. floor protector front width	1100
E	Min. Floor Protector projection from wall	644
F	Min. Floor Protector depth	300
G	Min. overall floor protector depth	1460

FIREBOX INSTALLATION - WOOD

1. If a separate floor protector is being used position now. Place the firebox on the floor protector to suit the minimum installation clearances. (See Fig 2 or 3).
2. Slide the cabinet over the firebox, ensuring the tabs are aligned and the cabinet is secure.
3. The cabinet is equipped with 2 x angle brackets located at the rear to seismically restrain the firebox and the floor protector to the floor.
4. Fit 2 x 6mm fixings suitable for the floor material. DO NOT over tighten.

- Flue pipe installed crimp/narrow end down
- Outer casings installed crimped/narrow end up. (Critical when exposed above the roof)
- Inner casings - direction not critical
- Flue pipes - seal all joints including firebox spigot.
 - fix with a minimum of 3 stainless steel rivets
- Flue pipe spacers - affix to flue pipe
- Flue system termination point - Refer to AS/NZS 2918:2001 4.9.1, see Fig. 9.
- Façade or Chase systems - same rule applies as above.
- Roof penetration and flashing method refer to NZ Building Code E2.(From 01/07/05)

FLUE SYSTEM INSTALLATION - WOOD

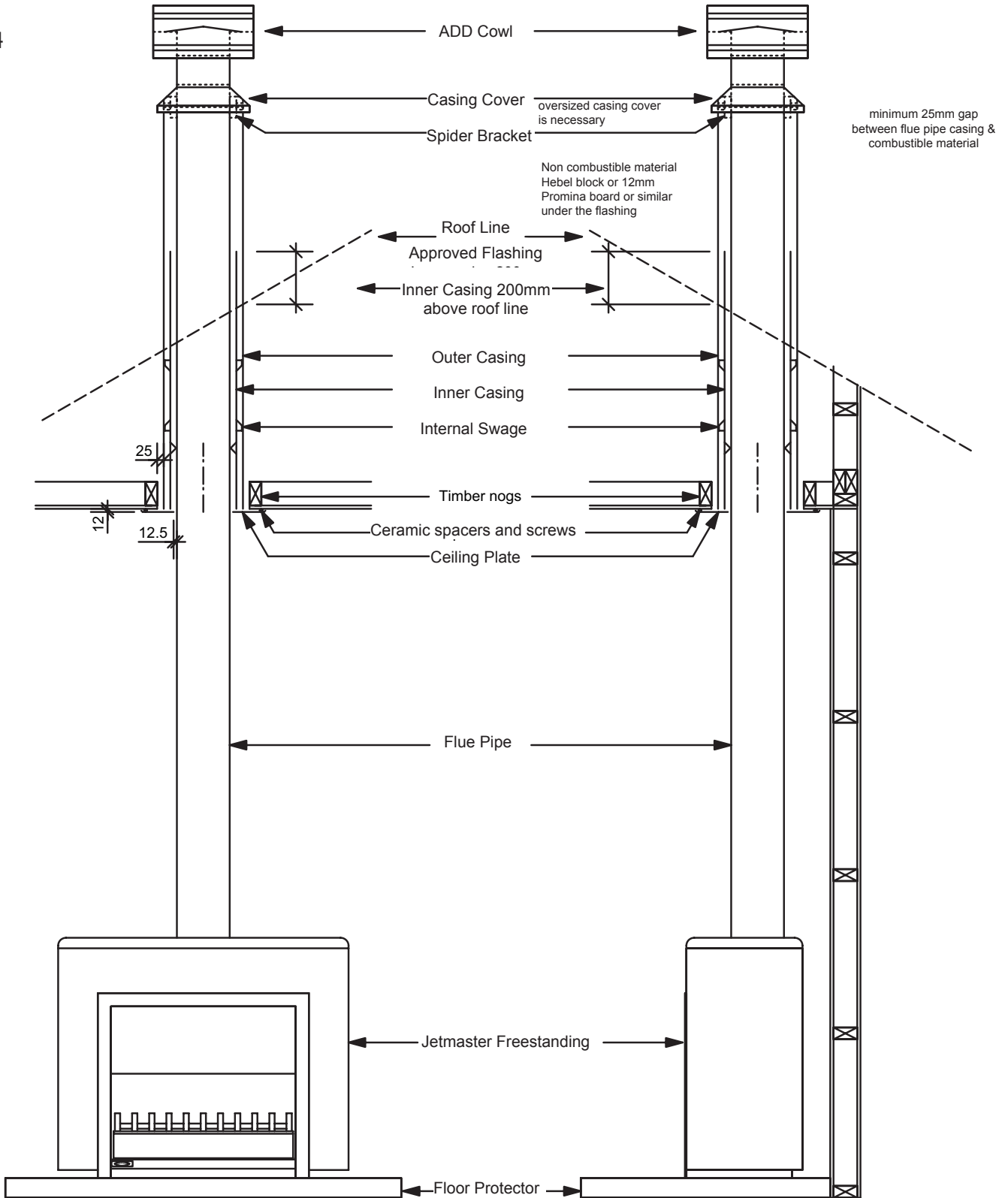
Note These instruction apply to 225mm dia flue pipe systems as tested to AS/NZS 2918:2001

1. Either locate the appliance in position or by measuring at the ceiling mark the flue pipe centre position. Check that the outer casing is unobstructed through the attic space or roof area.
2. Spike the centre with a nail. Transfer this position to the next surface above. Plumb bob/laser.
3. Cut out the ceiling penetration hole – square or rectangle – short axis equals outer casing diameter plus 50mm, long axis as required. See Table 4 . Perform the same at the roof penetration.
4. Frame out the hole with minimum 75 x 50 timber or as required for roofing material. Minimum requirement at roof penetration see NZ Building Code E2 Acceptable Solution (from 01/07/05).
5. Install the outer casing so that :-
 - (i) lower end is flush with the underside of the ceiling material and
 - (ii) with the addition of metal “L” brackets, affix to the outer casing at 90 degrees secure the outer casing centrally to the ceiling and roof nogs. Alternatively substitute the “L” brackets for 25mm thick non heat sensitive packers. Secure the outer casing through the packers with horizontal fixings to the nogs. Refer to the General Instruction for termination height. The option of outer casing slips to be taken into account.
6. Flash the outer casing to the roof material with the appropriate approved flashing.
7. If using an outer/inner casing combination, now install the inner casing ensuring it extends a minimum 200mm above the high side of the roof penetration. If not using a combination see ‘11’ below.
8. Refer to Firebox Installation, points 1 & 2.
9. Prepare the ceiling plate and place upside down over the flue spigot.
10. Install the flue pipes by preferred method – either up or down the outer casing. Affix each length per the notes in General Instructions (above). Extend the flue pipe above the outer casing to suit the casing cover/cowl assembly.
11. If the inner casing has not been installed, install now. Refer to 7 above for minimum height.
12. Install the cowl assembly, i.e. Top spacer, casing cover and cowl.
13. Position and secure the ceiling plate with the screws and spacers.
14. Wipe the flue pipe to remove finger marks.
15. Refer to Firebox Installation, points 3 & 4.

Tested flue systems, as per AS/NZS 2918:2001

Fig. 4

Drawing not to scale



Un-tested flue systems, as per AS/NZS 2918:2001, 4.6.3(b)

Fig. 5

AS/NZS2918:2001

Un-tested flue with sloped ceiling penetration greater than 30° from horizontal

4.5.1.2(b) = 50mm clearance to combustible material
A = 62.5mm for 225mm Ø flue pipe

4.6.3(b)
Fig 4.6 = downward distance of casing and 3 x Ø flue distance of the ceiling plate

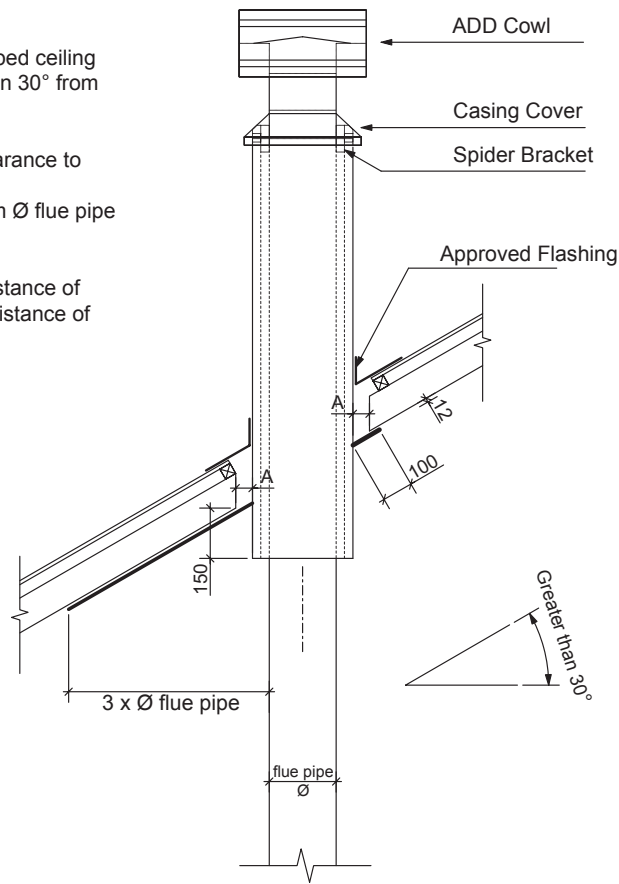


Fig. 6

AS/NZS2918:2001

Un-tested flue with sloped ceiling penetration greater than 30° from horizontal

4.5.1.2(b) = 50mm clearance to combustible material
A = 62.5mm for 225mm Ø flue pipe

4.6.3(b)
Fig 4.6 = 3 x Ø flue from active flue to heat sensitive surface

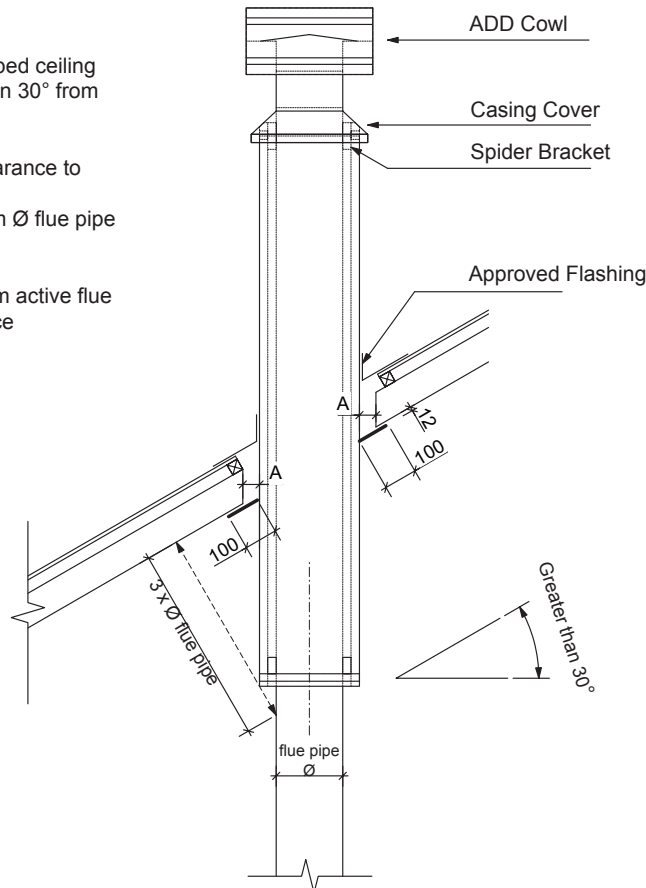


Fig. 8

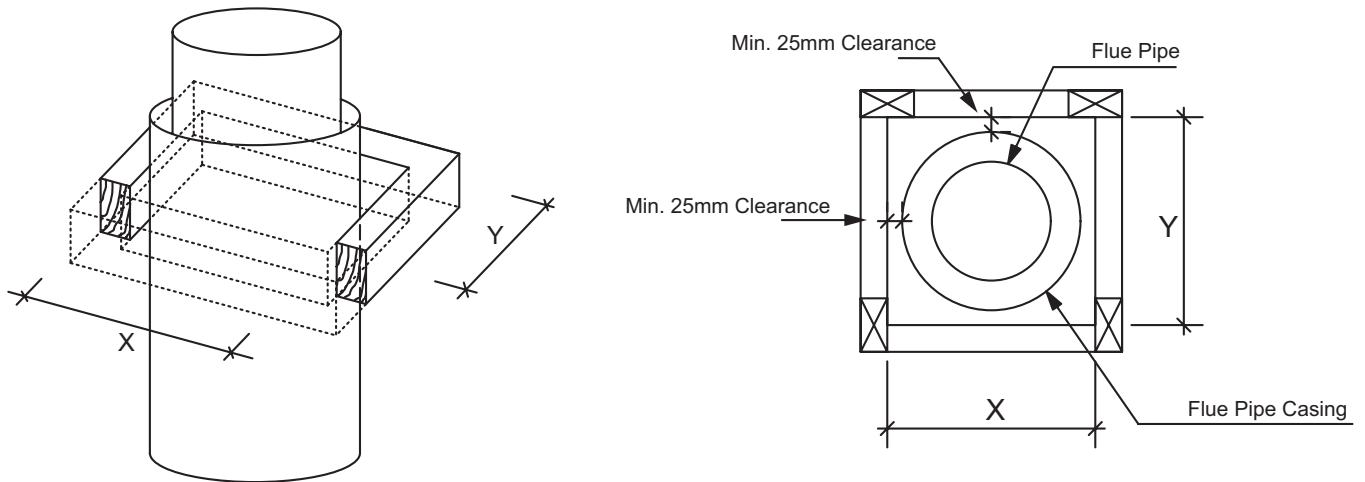


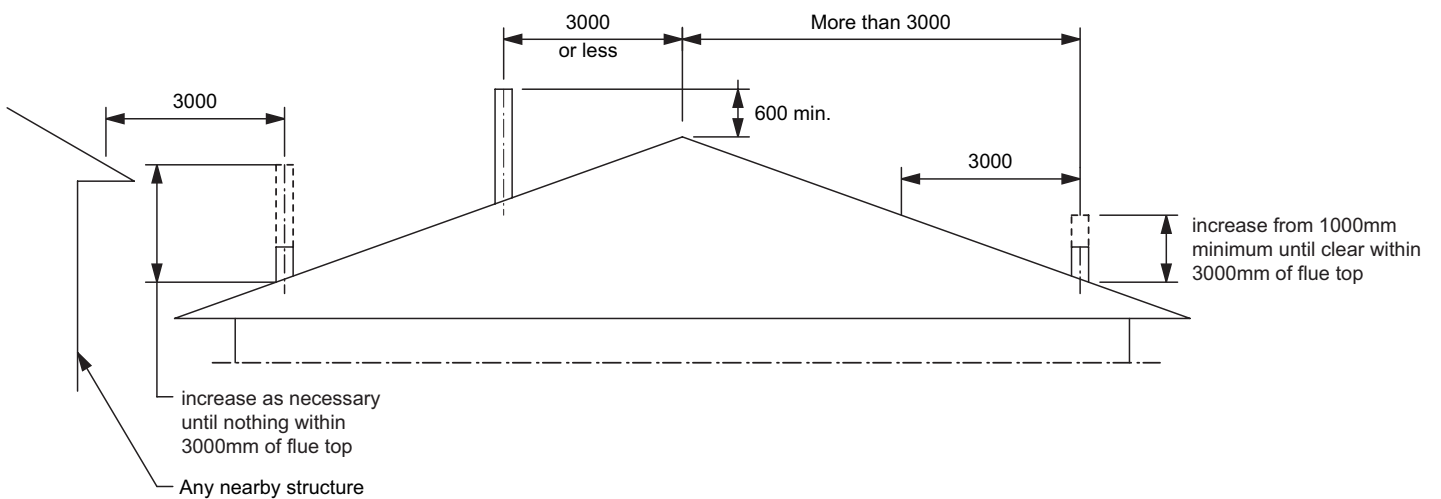
Table 4

Wood	MODEL	FLUE SYSTEM	MINIMUM TRIM OUT DIMENSION	
			X (min)	Y (min)
	700 D	225/275/325	375	375

MINIMUM HEIGHT OF FLUE SYSTEM EXIT - WOOD

As per AS/NZS 2918:2001 4.9.1 Fig 4.9

Fig. 9



The Fireplace Ltd specifies that allowances must be made for air replacement vents to be located near the fireplace, to aid combustion and reduce the possibility of back venting. Refer to Table 5 for air vent sizing and suggested location see Fig 9.

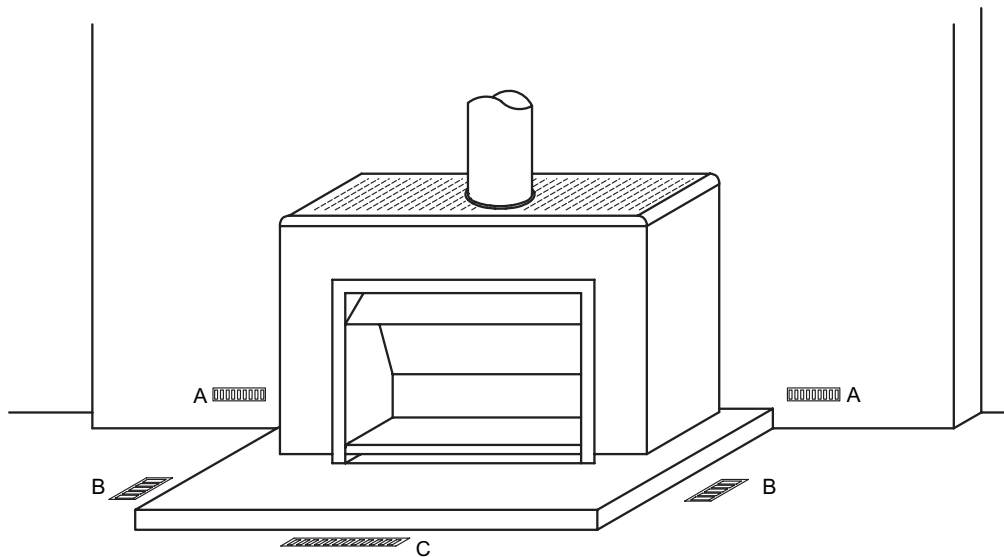
Fig. 9 - Location points A,B,C are suggested combinations. A minimum of **one pair** of air vents is recommended or one large vent, as per location point C.

Allowance to be made for minimum 2 inlet ducts from outside to internal vent location.

Table 5

MINIMUM VENT SIZE (x2)	
Square Design (L x H)	Rectangle Design (L x H)
100 x 100	200 x 50

Fig. 10



WARNINGS:

WARNING: THE APPLIANCE AND FLUE SYSTEM SHALL BE INSTALLED IN ACCORDANCE WITH AS/NZS2918 AND THE APPROPRIATE REQUIREMENTS OF THE RELEVANT BUILDING CODE OR CODES.

CAUTION: MIXING OF APPLIANCE OR FLUE SYSTEM COMPONENTS FROM DIFFERENT SOURCES OR MODIFYING THE DIMENSIONAL SPECIFICATION OF COMPONENTS MAY RESULT IN HAZARDOUS CONDITIONS. WHERE SUCH ACTION IS CONSIDERED, THE MANUFACTURER SHOULD BE CONSULTED IN THE FIRST INSTANCE.

CAUTIONS: CRACKED AND BROKEN COMPONENTS, e.g. GLASS PANELS OR CERAMIC TILES, MAY RENDER THE INSTALLATION UNSAFE.

WARNING: DO NOT USE FLAMMABLE LIQUIDS OR AEROSOLS TO START OR REKINDLE THE FIRE.

WARNING: DO NOT USE FLAMMABLE LIQUIDS OR AEROSOLS IN THE VICINITY OF THIS APPLIANCE WHEN ITS OPERATING.

WARNING: DO NOT STORE FUEL WITHIN HEATER INSTALLATION CLEARANCES.

WARNING: WHEN OPERATING THIS APPLIANCE AS AN OPEN FIRE USE A FIRE SCREEN.

CAUTION: THIS APPLIANCE SHOULD BE MAINTAINED AND OPERATED AT ALL TIMES IN ACCORDANCE WITH THESE INSTRUCTIONS.

CAUTION: THE USE OF SOME TYPES OF PRESERVATIVE-TREATED WOOD AS A FUEL CAN BE HAZARDOUS.

GAS INSTALLATIONS: IMPORTANT - PLEASE CONTACT THE FIREPLACE FOR FUTHER DETAILS

