

**JETMASTER EXISTING CHIMNEY  
INSTALLATION INSTRUCTIONS - WOOD / GAS**

WOOD INSTALLATION TO COMPLY WITH AS/NZS2918:2001  
GAS INSTALLATION TO COMPLY WITH NZS5261:2003



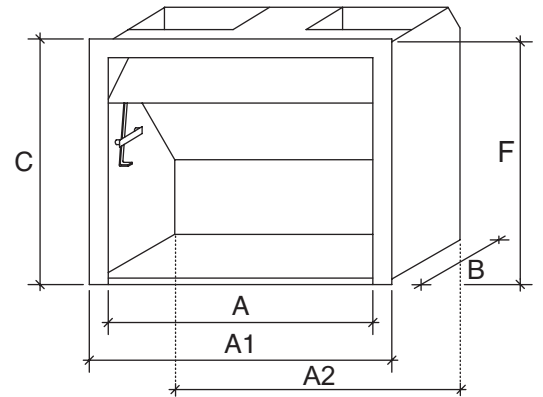
**IMPORTANT: Read all instructions carefully before starting installation. Failure to follow these instructions may result in a fire hazard and will void the warranty.**

## Solid Fuel Box Dimensions

Table 1.

MODEL	A	A1	A2	B	C	F
500	500	600	550	350	650	630
600	600	700	650	350	650	630
700 SH	700	800	750	350	650	630
700 SH L	700	800	750	350	600	580
700 D	700	800	750	400	700	680
850 L	850	950	900	450	700	680
1050	1050	1150	1100	500	800	780
1050 LL	1050	1150	1100	500	700	680

Dimensions in mm

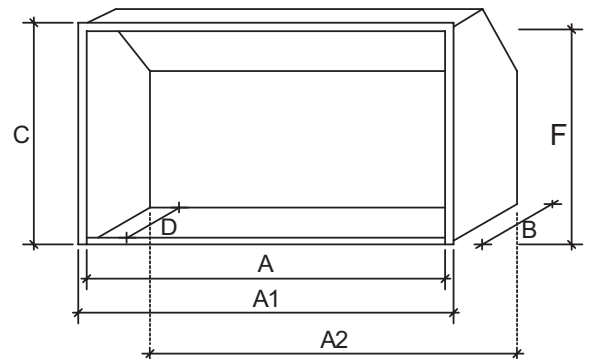


## Gas Convector Box Dimensions

Table 2.

MODEL	A	A1	A2	B	C	D	F
700	700	800	750	341	650	290	630
850	850	950	900	341	650	290	630
1050	1050	1150	1100	341	570	290	550

Dimensions in mm



## Gas Tray - MJ/Hr Ratings

Table 3.

MODEL	NG	LPG
700 SFB	45	38
850 SFB	50	43
1050 SFB	65	65

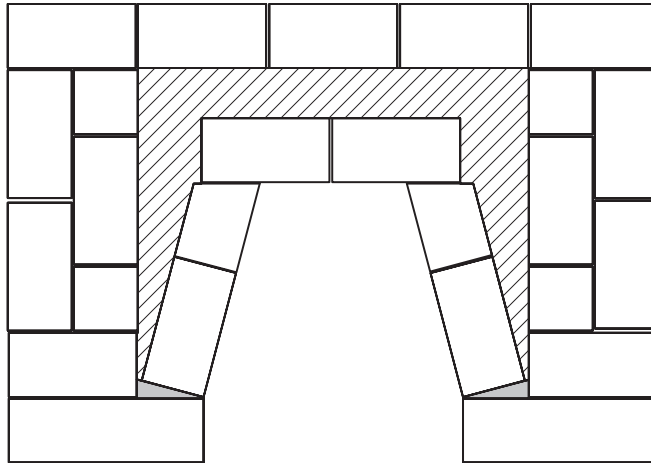
1. **A Building consent may be required.** Check with your local Territorial Authority before starting any installation.
2. **On completion of the installation** – A Producer Statement will be necessary for sign off with the local Territorial Authority.
3. **Brick Chimney checks**
  - Check the structural integrity of the chimney
  - Sweep the chimney if required (ensure annual sweeps are maintained)
  - Remove internal brick lean back and side bricks as required
4. **Pre install measure checks**
  - Measure width, depth and height of opening to determine the model size to use.
  - Measure the existing floor protector to ensure it complies. Alter if necessary.
  - For Gas installations, run the gas line to the fire location (a 15mm dia. hole will need to be drilled into the side of the installed firebox for the gas line to the burner.)
  - The height of the opening may need to be increased/decreased to suit. Use a 70mm x 10mm steel bar lintel for any brickwork above the fire opening.
5. **Fitting the Firebox**
  - Remove the damper blade before starting any installation work.
  - Ensure that any filling and plaster work required in the chimney void is completed (before fitting the firebox) to ensure a smooth passage for the smoke/gas emissions, is in place. Final plastering/shaping work will be required once the firebox is fitted into place.
  - Line the back face and sides of the opening with Rockwool, before sliding the firebox into position.
  - There must be a tight seal between the firebox and the sides and rear of the chimney using Rockwool.
  - Always ensure that the bottom of the Jetmaster firebox is sitting at the same level as the floor protector (hearth), so that the convection air intake is never blocked.
  - Ensure that 2 x 6mm rawl bolts are used to secure the firebox to the base of the brick fireplace floor (Earthquake restraints). These are positioned beneath the logpan and at approx ¼ width of the opening from each side and along the centre line.
  - Finish off any plastering work through the smoke ports if required.
  - Replace the damper blade ensuring the smoke ports are not impeded in any way.
  - It is recommended to fit an appropriate cowl and weather cover to the top of the chimney and plaster it in place.
6. **Finishing work**
  - Any **surround** or **mantle** must be installed as per the Fig 6, 7 and 8. Ensure there is at least 100mm clearance from the fireplace opening to any combustibles. If a **cast iron fascia** is fitted over the front of the fire, ensure that rockwool is used to insulate the cast iron from any timber in the surround.

# Plan View - Step 1

4.R.1D

Fig. 1

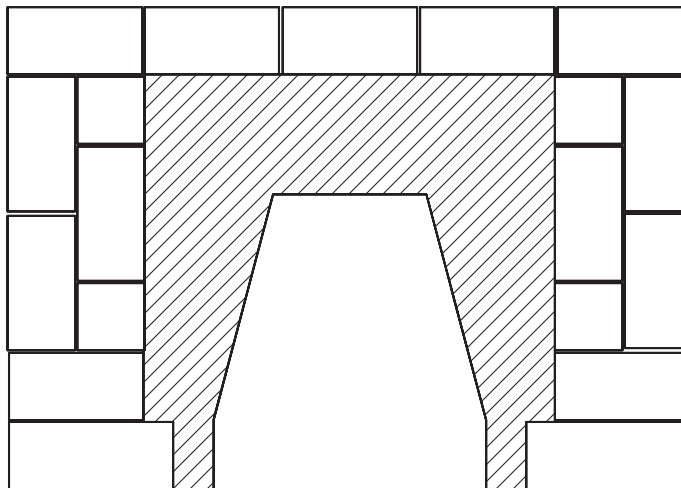
Drawing Not To Scale



# Plan View - Step 2

Fig. 2

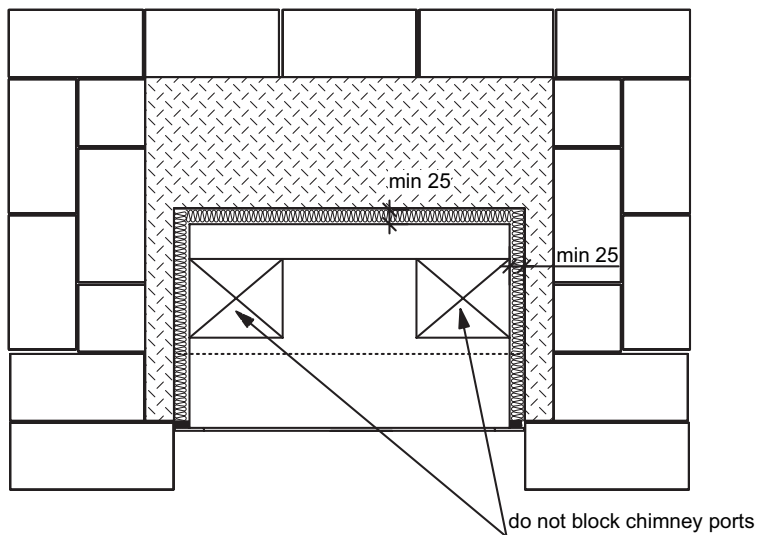
Drawing Not To Scale



# Plan View - Step 3

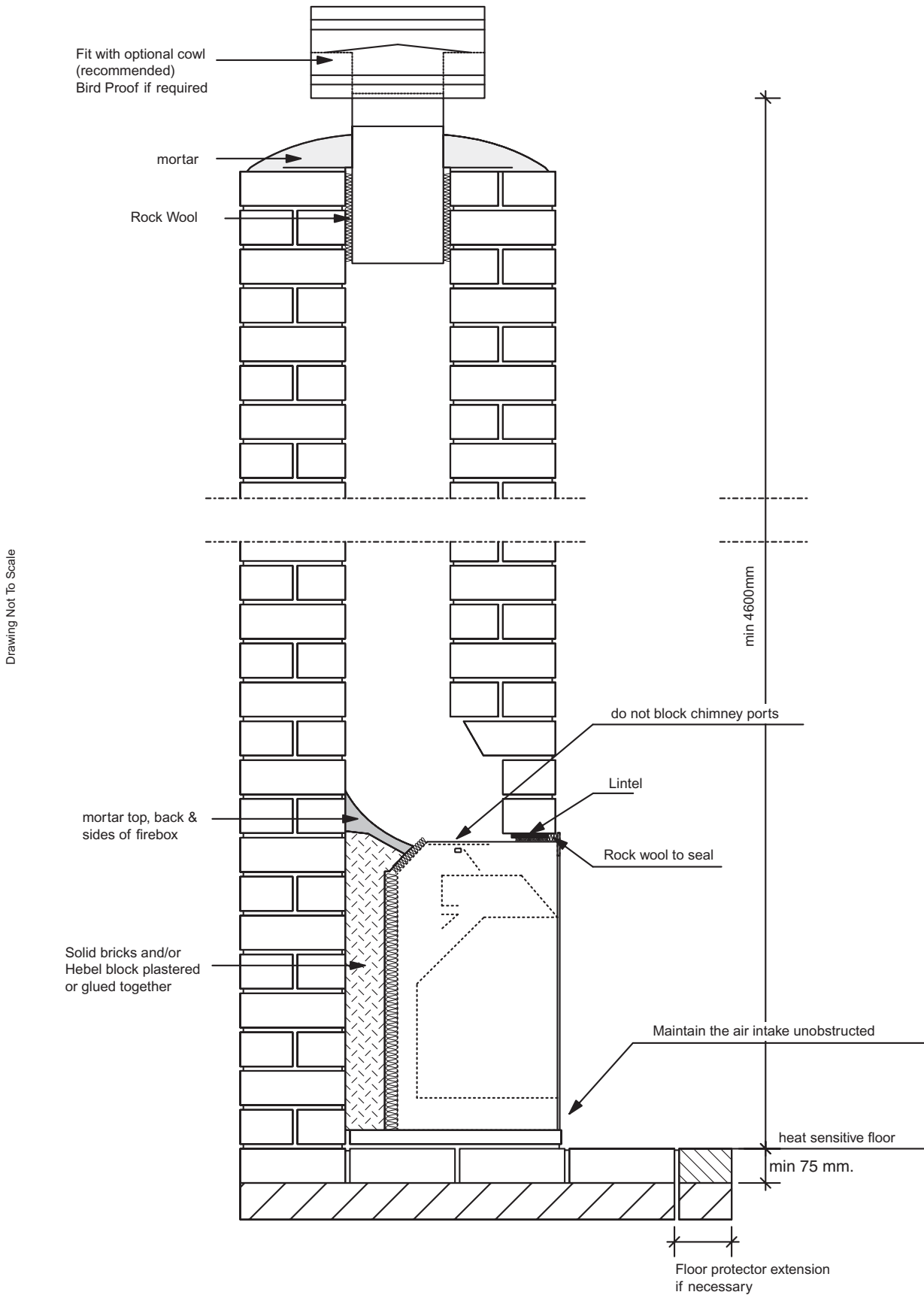
Fig. 3

Drawing Not To Scale



Tested to AS/NZS 2918:2001 Appendix E

Fig. 4



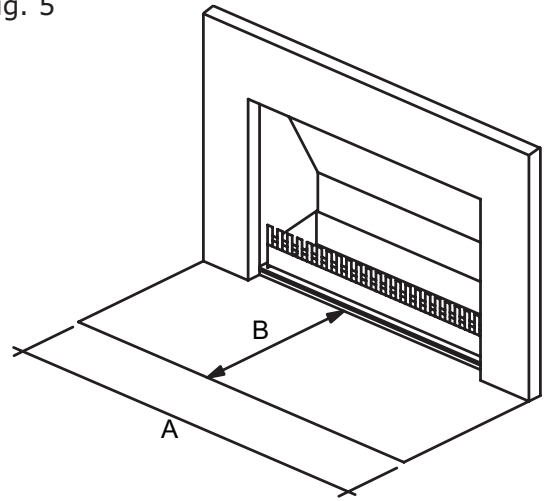
# Minimum Floor Protector

4.R.1F

Table 4.

MODEL	A	B	Min. Depth*
<b>Solid Fuel Models</b>			
440 U	840	300	75
500 U	900	300	75
600 U	1000	300	75
600 L	1000	300	75
700 SH	1100	400	75
700 SH L	1100	400	75
700 D	1100	400	75
850 U	1250	450	75
850 L	1250	450	75
1050 LL	1450	600	75
<b>Gas Models</b>			
700	1100	300	-
850	1250	300	-
1050	1450	300	-

Fig. 5

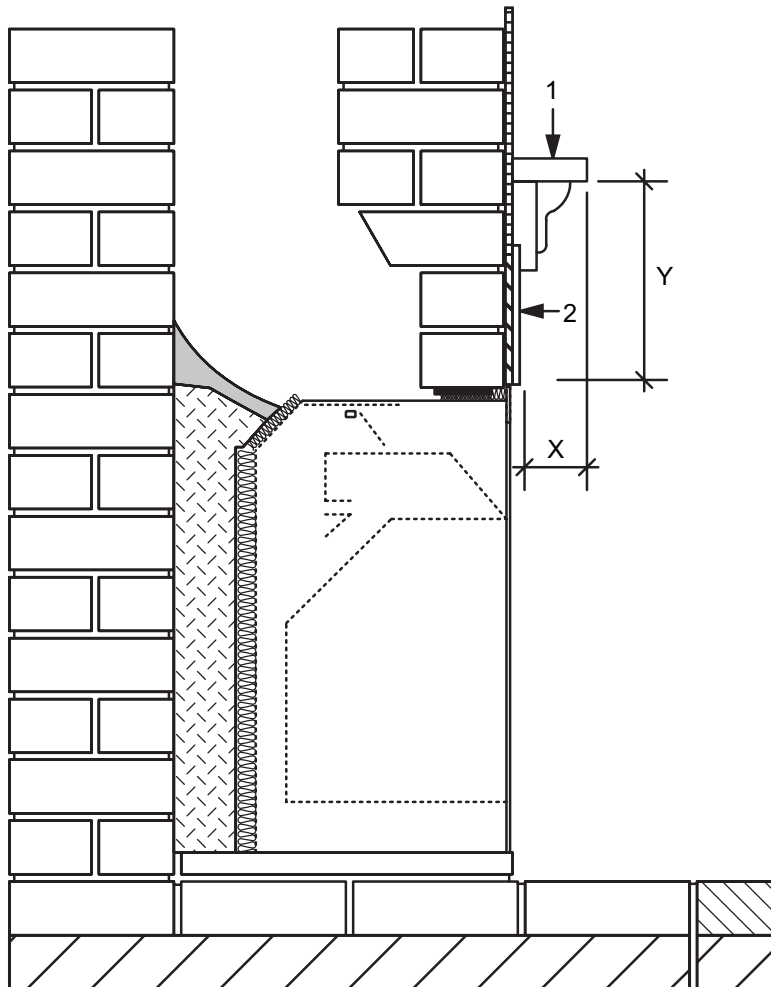


\*A minimum 75mm thickness refers only to Hebel Block.  
Minimum 100mm thickness required if poured concrete

Dimensions in mm

# Clearances to Combustible Mantels

Fig 6.



**Notes:**

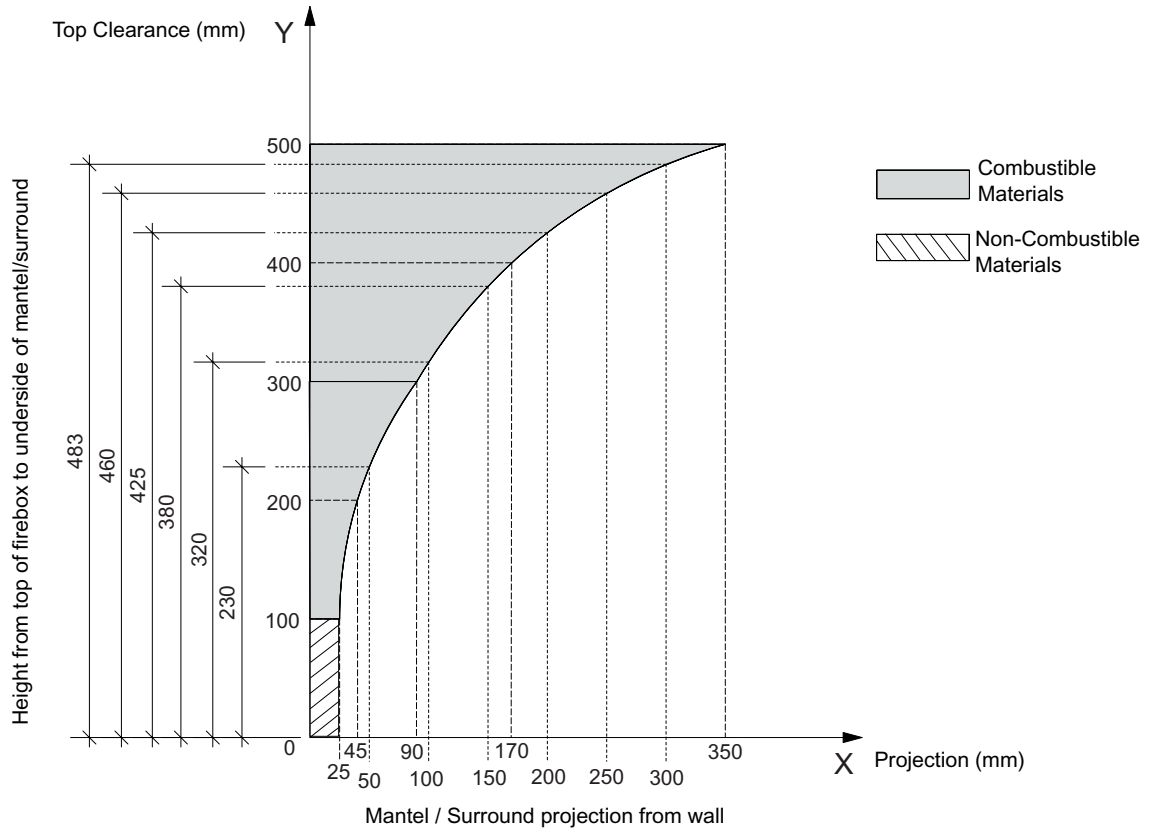
- 1. Mantel / Surround
- 2. Tile or margin facing (non combustible material)

X = see Fig. 7

Y = See Fig. 7

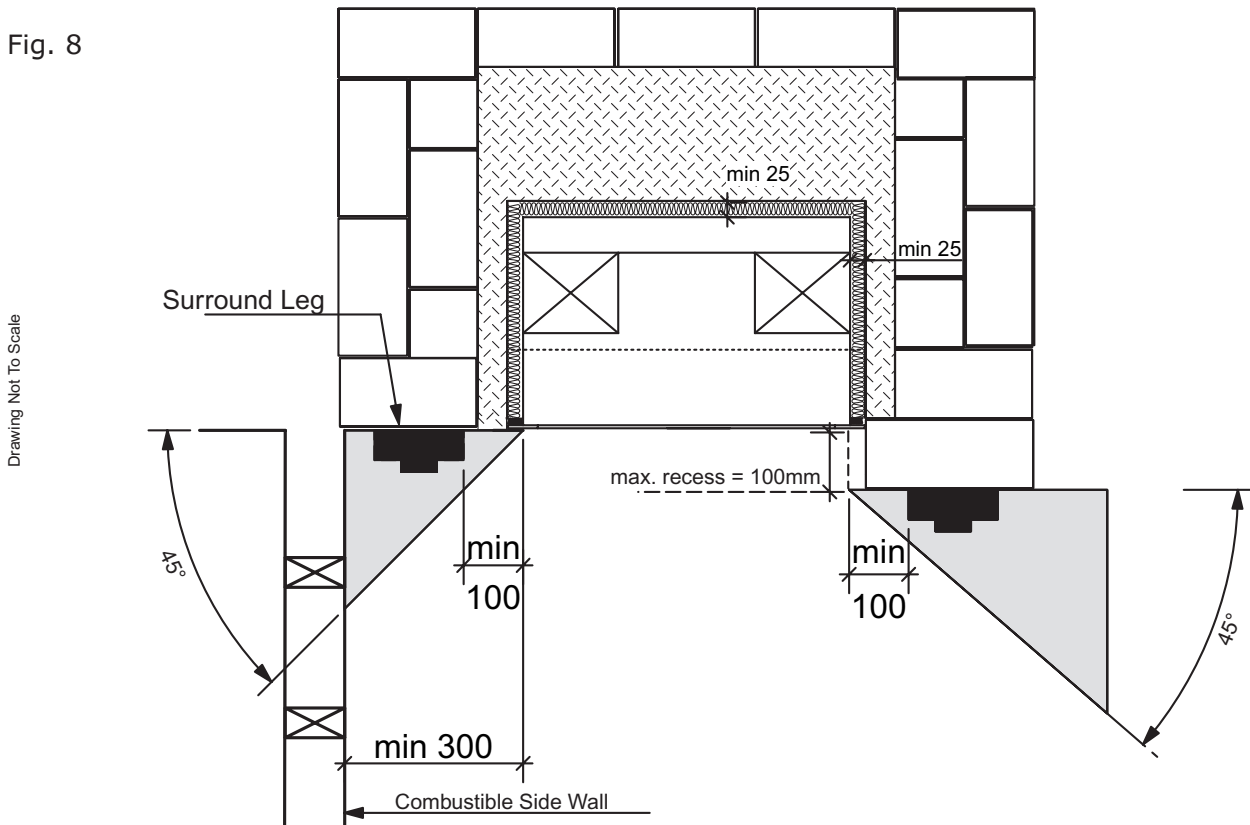
Refer to Fig. 8 for Side Clearances

Fig. 7



# Clearances to Combustible Mantels

Fig. 8



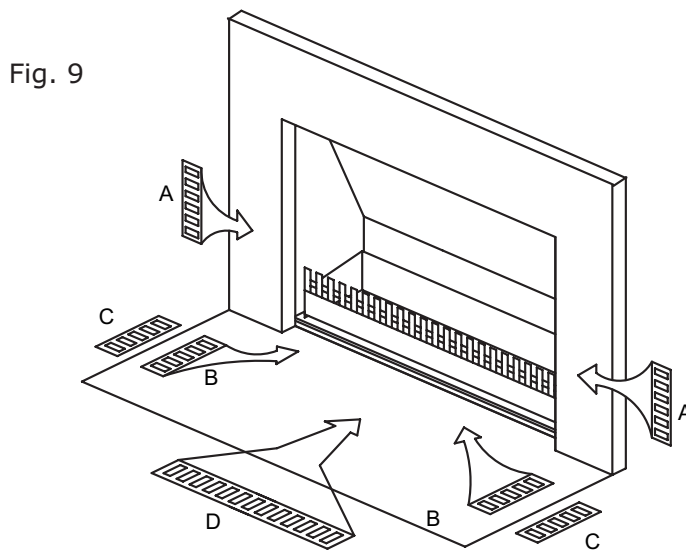
**Note:** Always allow 100mm margin from opening of firebox to combustibles.  
Adjacent combustible side walls must be located a minimum 300mm from the fireplace opening.

The Fireplace Ltd recommends that allowances are made for air replacement vents to be located near the fireplace, to aid combustion and reduce the incidence of back venting. Refer to Table 5. for air vent sizing and suggested location. Fig. 9 - Location points A,B,C,D are suggested combinations. A minimum of **one pair** of air vents is recommended or one large vent, as per location point D.

**Note:** Allowance to be made for minimum 2 x 80mm dia. PVC inlet ducts from outside to internal vent location.

Table 5.

MODEL	MINIMUM VENT SIZE (x2)	
	Square Design (L x H)*	Rectangle Design (L x H)*
440 - 700	100 x 100	200 x 50
850	125 x 100	250 x 50
1050	150 x 100	250 x 100



## AS/NZS2918:2001 General Notes (if applicable)

**WARNING: DO NOT USE FLAMMABLE LIQUIDS OR AEROSOLS TO START OR REKINDLE THE FIRE.**

**WARNING: DO NOT USE FLAMMABLE LIQUIDS OR AEROSOLS IN THE VICINITY OF THIS APPLIANCE WHEN ITS OPERATING.**

**WARNING: DO NOT STORE FUEL WITHIN HEATER INSTALLATION CLEARANCES.**

**WARNING: WHEN OPERATING THIS APPLIANCE AS AN OPEN FIRE USE A FIRE SCREEN.**

**CAUTION: THIS APPLIANCE SHOULD BE MAINTAINED AND OPERATED AT ALL TIMES IN ACCORDANCE WITH THESE INSTRUCTIONS.**

**CAUTION: THE USE OF SOME TYPES OF PRESERVATIVE-TREATED WOOD AS A FUEL CAN BE HAZARDOUS.**