

Custom Fireplaces

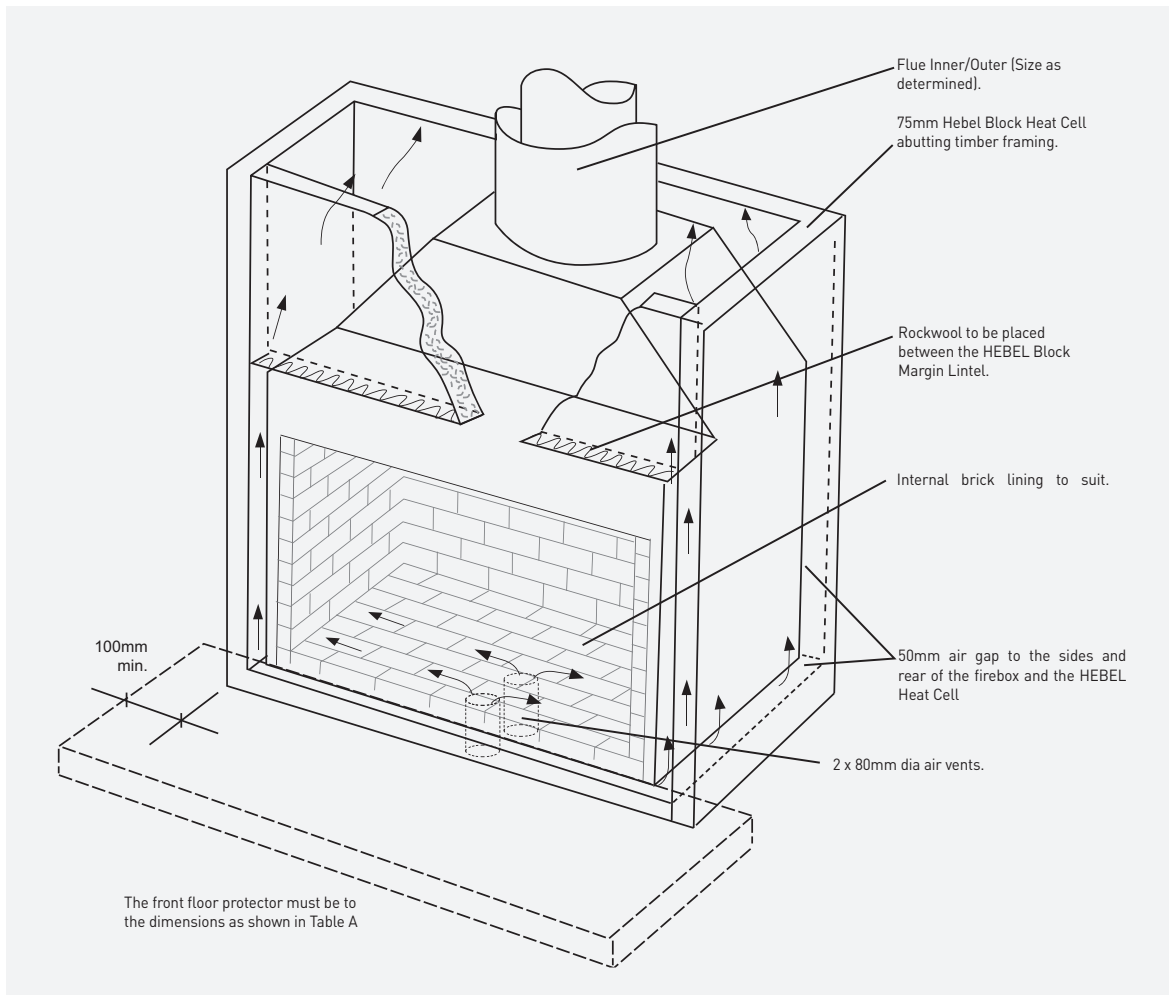


Masonry brick open fire with gas log lighter, Courtesy A & P Hutson

- Custom made fireplaces designed to individual needs
- Contemporary or Traditional design – Indoor or Outdoor
- Gas or Wood with masonry inserts
- Optional gas log lighters

WOOD & GAS
(WITH MASONRY BRICK LININGS)

TECHNICAL | INFORMATION



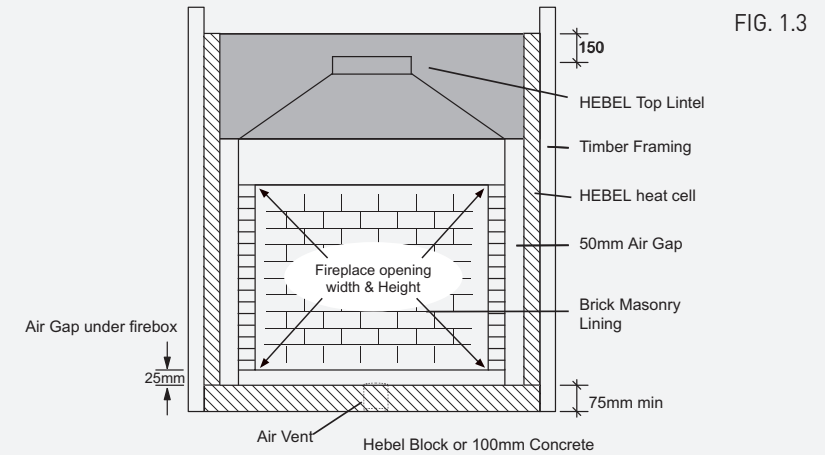
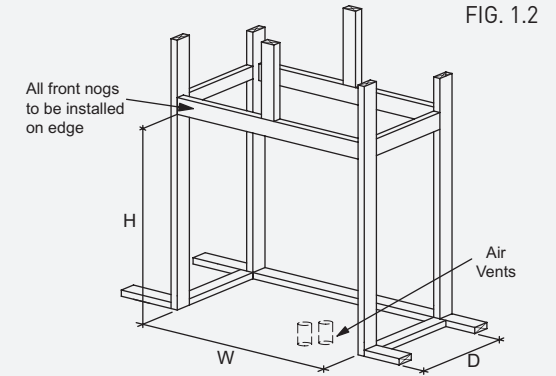
Typical Frame Out

W – Overall firebox width +250mm (min).

H – Overall firebox height at the top of the gather spigot +150mm (min).

D – Overall depth of the firebox base + 125mm (min).

The internal walls and rear framing surfaces are to be lined with 75mm Hebel Block.



Floor Protector

Table A

Projection B

300mm - For firebox opening widths up to 600mm

400mm - For firebox opening widths 605mm to 700mm

450mm - For firebox opening widths 705mm to 850mm

750mm - For firebox openings 855mm to 1200mm

850mm - For firebox openings greater than 1205mm

