

STOVAX STUDIO 3 | FREESTANDING

Fire Your Imagination

Indoor Wood



Stovax Studio 3 Freestanding, Riva 180 High Bench & decorative flue ring

Maximum visual impact. Technical innovation.


The Stovax Studio 3 freestanding fire features the very latest Cleanburn Combustion System, allowing the logs to burn with outstanding efficiency, resulting in more heat delivery into the room and less going up the chimney. This technological advancement is achieved by introducing preheated, secondary air into the firebox to burn the excess hydrocarbons in the smoke.

Beautifully designed, the Stovax clean, contemporary lines complement modern interiors. The Studio offers flames from a lazy roll to a lively roar. You can adjust your fire to suit your mood.

This fire provides outstanding flame pictures and superior heating efficiency. The Stovax Studio 3 should only be installed on properties of 2 Ha or more, the Studio 3 is also available as an inbuilt fire.

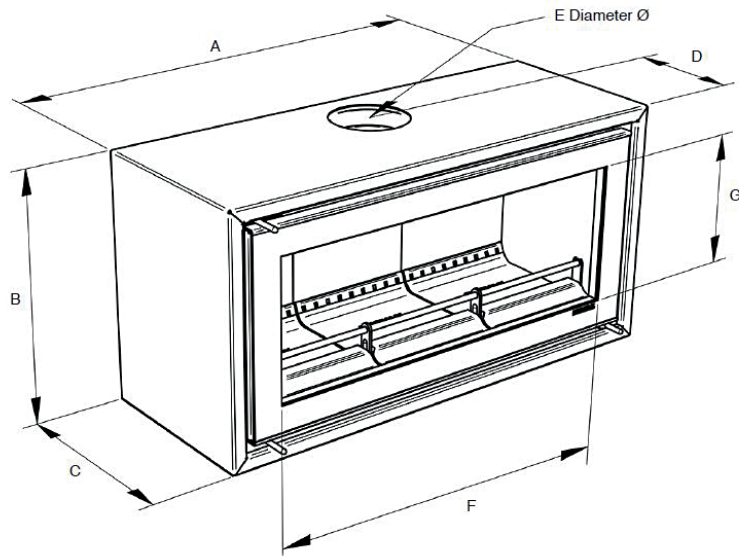
Key Features

Studio 3 Freestanding

61%	 EFFICIENCY
18.0kW	 HEAT OUTPUT
250m ³	 ROOM HEATING CAPACITY
✓	 RURAL PROPERTY
✓	 OPTIONAL BENCH

Studio 3 Freestanding Technical Information

PRODUCT DIMENSIONS (mm)



Description	A	B	C	D	E	F Glass Viewing Area	G Glass Viewing Area
Studio 3	1389	516	445	325	153 (6")	1177	286

OPTIONAL BENCH DIMENSIONS

Bench size	Width	Height	Depth
Riva Bench 180 High	1800mm	350mm	465mm
Riva Bench 180 Low	1800mm	250mm	465mm

The information on this brochure is to assist you in your choice of a suitable Stovax fire. This is not intended to be all the information required to install your fire. This can be obtained from your local Stovax retailer or you can download the full and current installation instructions from: thefireplace.co.nz

Distributed by



Head Office & Showroom
 12 Tawari Street
 Mt Eden, Auckland
 09 623 6990 | thefireplace.co.nz



Oct 2018