



Stovax Studio 2 Rural freestanding fire





Minimalist design, stunning elegance.

The Stovax Studio range balances presence with efficiency and heating performance. A selection from this peerless range of contemporary fires will add gravity and style to any interior. It represents the pinnacle of British fire design, engineering and technical innovation.

This Studio 2 Rural freestanding model is beautifully designed with clean, minimalist lines and enticing widescreen flame visuals. It will create a striking feature in your living space.

NOTE: This model is suitable only for installations into homes on properties 2ha or larger.

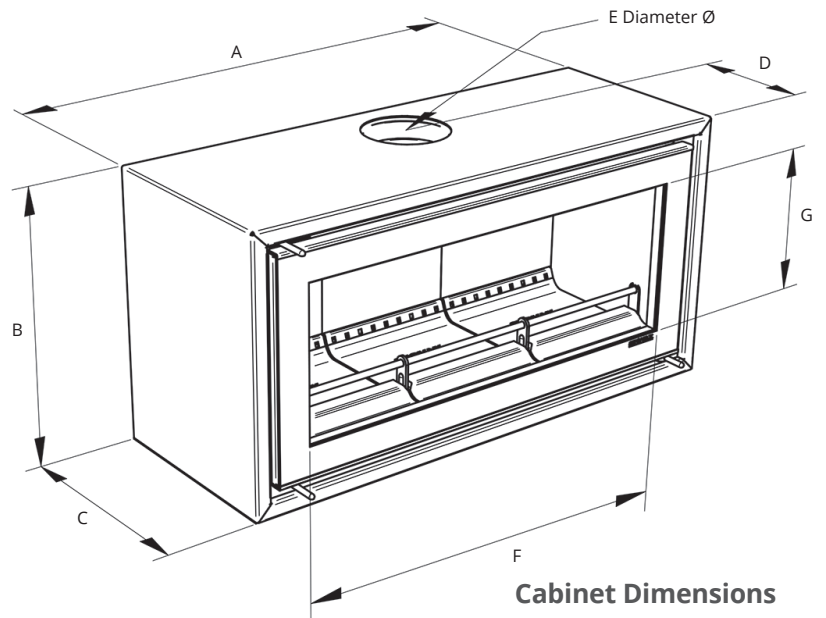
Key Features

- 
 Architecturally-inspired design
- 
 Landscape viewing window, with Airwash
- 
 High heat output fire
- 
 Minimal ash and cleaning

Product Specifications

(All dimensions in millimetres)

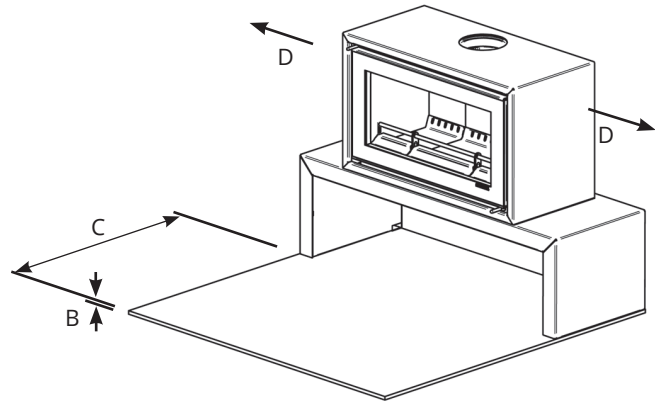
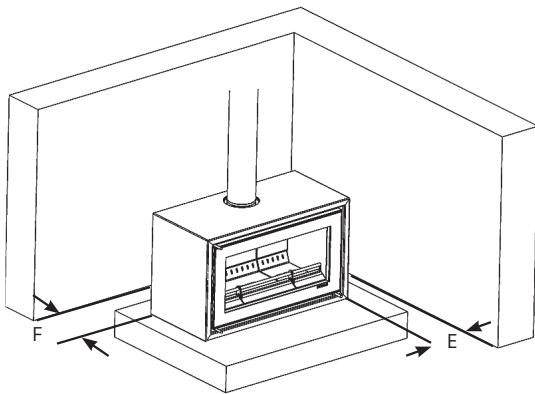
Firebox Model # RVFST-2HTAU
 Average Heat Output 15kW
 Fuel Source Wood



Dimensions	A	B	C	D	E	F	G
(mm)	1000	504	380	260	150	790	289

Installation Information

IMPORTANT: PLEASE REFER TO COMPREHENSIVE INSTALLATION INSTRUCTIONS PRIOR TO CONSTRUCTION AND INSTALLATION
 DOWNLOAD FROM: www.thefireplace.co.nz



Wall Clearances Dimensions

Wall Clearances	E & F Heat Resistant	E Combustible	F Combustible
(mm)	100	425	375

Floor Protector Dimensions

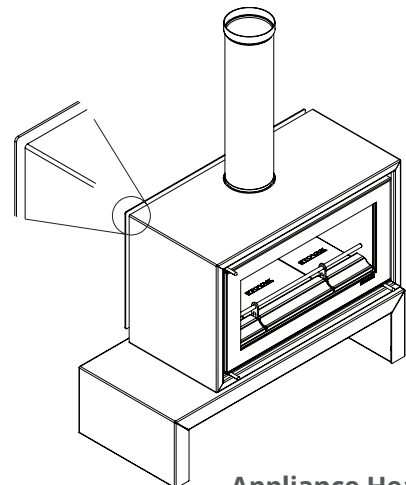
Floor Protector	B	C 250 High Bench	C 350 High Bench	D
(mm)	24	500	400	425

Options & Accessories

Stock Code	Description	Width	Height	Depth
RVACB180BHT	STUDIO BENCH 180 HIGH	1800	350	465
RVACLB180BHT	STUDIO BENCH 180 LOW	1800	250	465
RVACB140BHT	STUDIO BENCH 140 HIGH	1400	350	420
RVACLB140BHT	STUDIO BENCH 140 LOW	1400	250	420
RVACB120BHT	STUDIO BENCH 120 HIGH	1200	350	420 (Indent Only)



Steel Benches



Appliance Heat Shield

Reduces rear wall clearance to 150mm to combustibles



Exclusive New Zealand Distributor
The Fireplace Ltd
 12 Tawari Street, Mt Eden
 Auckland 1024, New Zealand

Ph: 09 623 6990
 Email: sales@thefireplace.co.nz
www.thefireplace.co.nz

Your Local Retailer