

Heat Shield Plate

for Balanced Flue Rear Termination Kit

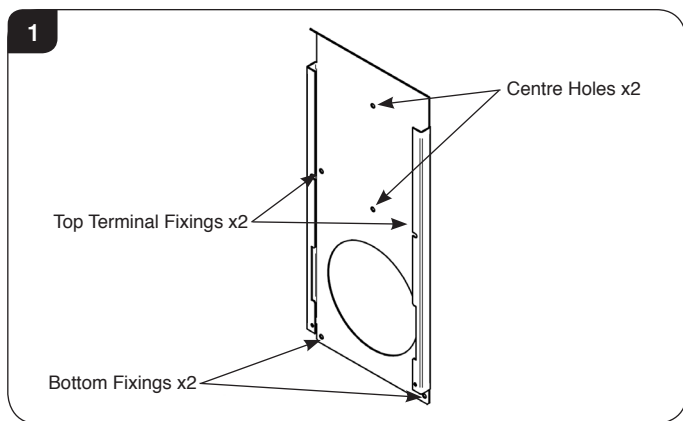
used with Timber Frame Wall Installation

1. General

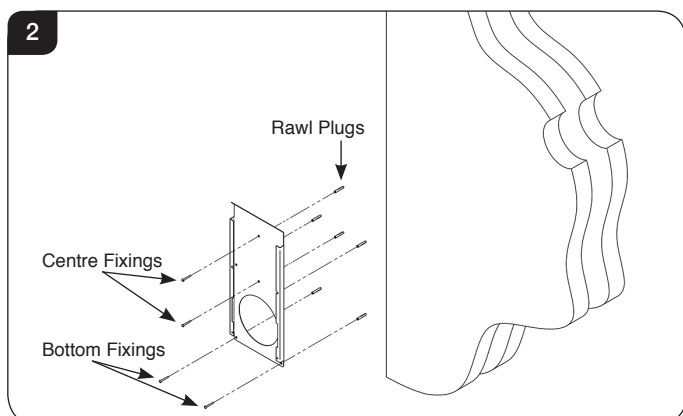
- 1.1 These instructions are supplementary to, and must be read in conjunction with the instructions supplied with the appliance. Read both thoroughly before installation.
- 1.2 Fitting of this flue terminal requires work to be carried out during the installation procedure. Ensure any necessary actions are taken prior to fitting the appliance.

2. Installation

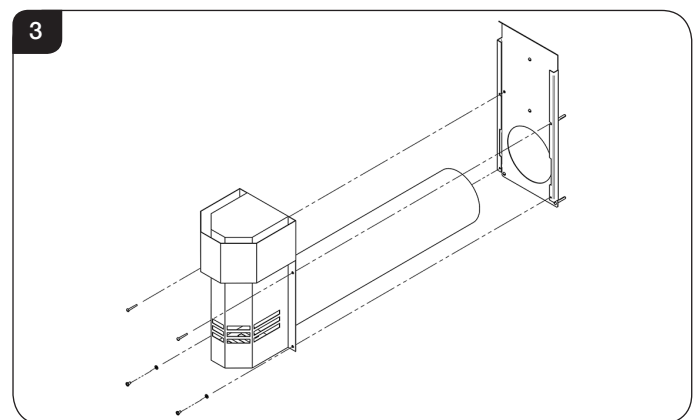
- 2.1 It is necessary to fit a Wall Heat Shield to protect the combustible material of the wall.
- 2.2 Refer to the installation manual supplied with the appliance for the correct method to install a rear flue terminal.
- 2.3 Fit the Heat Shield Plate before attaching the terminal to the outside wall.
- 2.4 Position the Wall Heat Shield over the flue exit hole (see section 3) and mark the position of:
2x Centre Holes
2x Bottom Fixings
2x Top Terminal Fixings
See Diagram 1.



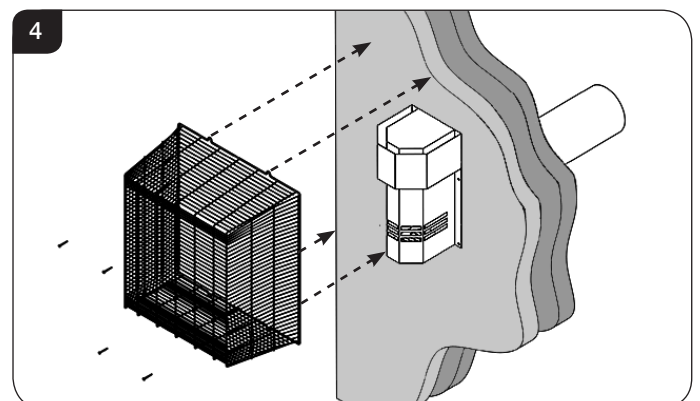
- 2.5 Drill the 6 holes and fit rawl plugs, see Diagram 12.



- 2.6 Attach the heat shield to the outside wall using the two central holes and the two bottom holes in the plate.
- 2.7 Feed the flue carefully through the wall and secure flush to the wall heat shield using:
2x Top Terminal Fixings
2x Pozi screws and washers



- 2.8 Any terminal less than 2m above any access (level ground, balcony or flat roof with access) must be fitted with the guard supplied, see Diagram 50.



Gazco Limited, Osprey Road, Sowton Industrial Estate, Exeter, Devon, England EX2 7JG
Technical Customer Services: (01392) 261950 Fax: (01392) 261951
E-mail: technicalservices@gazco.com

A member of the Stovax Group

E & O E