

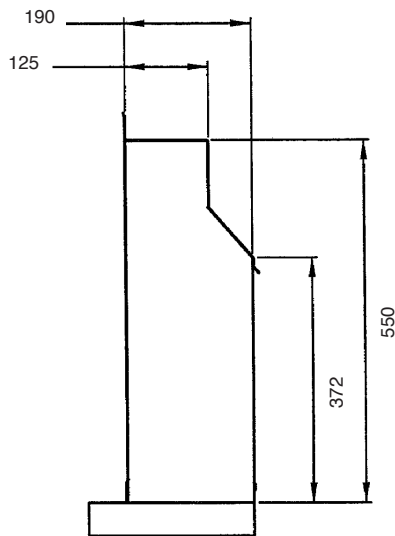


Logic HE Conventional Flue (NZ) Information Sheet for Builders & Designers

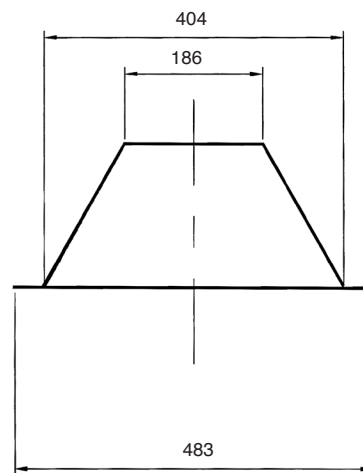
i **IMPORTANT**
This Information Sheet is intended as a reference guide for minimum cavity and flue requirements when installing a Gazco Logic HE appliance only and not a substitution for the full instruction manual. It is essential to read and fully understand the installation instructions (PR2194NZ) before undertaking this project.

Appliance Information

OVERALL EXTERNAL DIMENSIONS SIDE VIEW



OVERALL EXTERNAL DIMENSIONS PLAN VIEW



Technical Specifications		Manual Control	Remote Control	Slide Control
Logic HE NG with Coal Effect		101-151NZ	101-088NZ	101-037NZ
Logic HE LPG with Coal Effect		101-497NZ	101-614NZ	101-444NZ
Heat Output		4.5kW	4.5kW	4.5kW
Efficiency		89%	89%	89%
Gas Input Rate	Nat Gas	18.4Mj/h	18.4Mj/h	18.4Mj/h
	General Product LPG	17.28Mj/h	17.28Mj/h	17.6Mj/h
Test Point Pressure	Nat Gas	2.0kPa	2.0kPa	2.0kPa
	General Product LPG	2.75kPa	2.75kPa	2.75kPa
Gas Inlet Connection		8mm		
Lining Options		Black Reeded		
Frame Options		Designio2, Tempo, Winchester, Box Profil2, Arts2		
Fuel Effect		Coal Effect		
Air Replacement				
Additional Ventilation (mm)		<p>This appliance has a rated input below 7kW and therefore does not normally require any additional ventilation.</p> <p style="text-align: center;">PLEASE REFER TO LOCAL AND NATIONAL CODES OF PRACTICE FOR VENTILATION REQUIREMENTS.</p> <p style="text-align: center;">AIR VENTS MUST NOT BE RESTRICTED.</p>		

Flue & Chimney Requirements

- 2.1 The chimney or flue system must comply with the rules in force, and must be a minimum of 125mm in diameter. Precast flues must conform to BS1289: 1986. The cross sectional area of the flue must be 16500 mm² with a minimum dimension of 90mm.

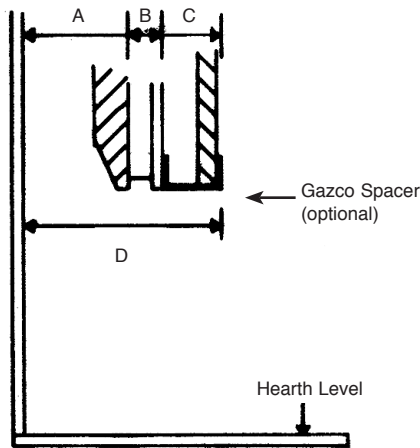
When fitting the appliance to a precast flue, the total minimum depth of appliance opening necessary is (D) 215mm. This allows a 25mm space behind the appliance for debris, required on this type of flue system. This is achieved either by using = (A) a 115mm deep starter block + (B) a 25mm plasterboard and sealed space + (C) 75mm Gazco Spacer (part number 8315) with a marble slip or similar, inserted behind the spacer front flange, see Diagram 1.

Or the total depth can be achieved by using a deeper starter block, remedial building work to the front of the fireplace opening, and a marble slip or similar, or a combination of this.

NEVER PLASTER DIRECT TO THE FACE OF A PRECAST FLUE. USE ADHESIVE TO FIX THE PLASTERBOARD TO THE FACE OF THE FLUE AND FINALLY SKIM THE PLASTERBOARD.

1

- A = Minimum precast flue starter block depth (115mm)
 B = Plasterboard and adhesive seal all around appliance opening
 C = Gazco Spacer (8315)
 D = Minimum total depth including 25mm for debris



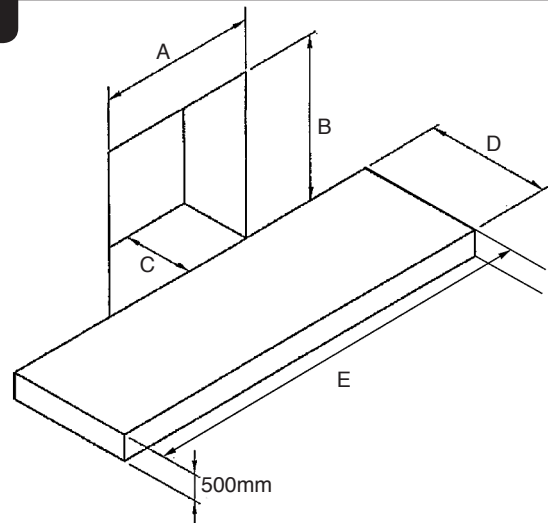
The appliance can also be fitted into a metal flue box with a twin wall prefabricated metal flue system suitable for use with gas appliances. In this installation a 25mm rebated fire surround must be used. Refer to Diagram 2, Pre Fab Metal Box for dimensions.

* Class 1 flues. Chimneys over 229mm x 229mm must be lined.

Appliance Location

- 3.1 This appliance must stand on a non combustible hearth that is at least 12mm thick. If the appliance is greater than 50mm above the floor, then no hearth is required, although due consideration should be given to how the heat may affect the floor material.
- 3.2 **NOTE: It is recommended you construct the back panel of the fireplace from natural materials cut into three or more sections to prevent cracking. Resin-based materials may not be suitable. This appliance is an effective heat producer and attention must be paid to the construction and finish of the fireplace.**
- 3.3 It must be fitted into a non-combustible opening.
- 3.4 These appliances must be hearth mounted into a fireplace opening conforming to National Standards. The minimum dimensions shall be as shown in Diagram 2.

2



Flue Type Dimensions	Brick Built Class 1	Pre Fab Metal Box
A	410	407
B	560	560
C	250	200
D	300	300
E	710	710

- 3.5 Ensure that no naked flame or incandescent part of the fire bed projects beyond the vertical plane of the fireplace opening.
- 3.6 The appliance must not be installed in any room that contains a bath or shower.
- 3.7 Ensure clearances to combustible materials, see Installation Instructions, page 9.
- 3.8 The maximum depth of combustible shelf is 150mm at a minimum height of 150mm above the decorative front. **Refer to the appropriate Frame Instructions regarding additional wall strengthening for the frame.**

Distributed by



The Fireplace
 Auckland ph 09 623 6996
 www.thefireplace.co.nz

