



# Icon XS Front

For use with the Riva2 500, 750, 800 & 1050



**Instructions for Use and Installation**  
For use in GB, IE (Great Britain and Republic of Ireland)

# Installation Instructions

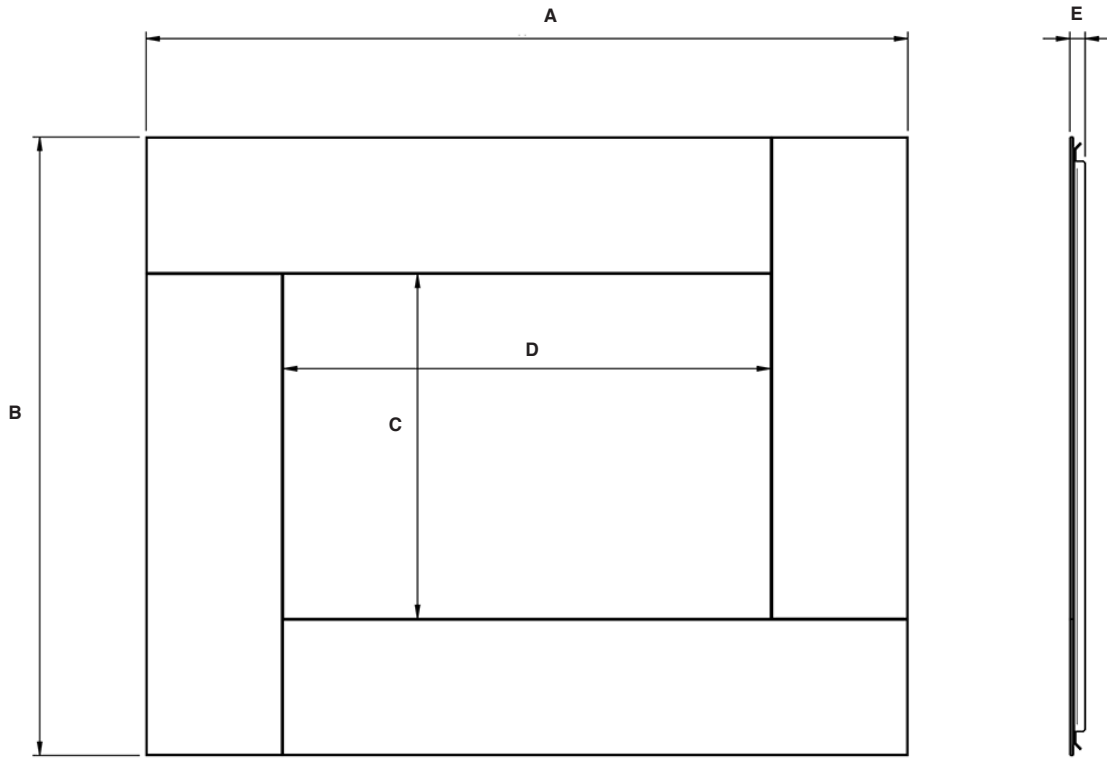
Covering following model numbers:

Model	Icon XS Black Glass
Riva2 500	934-388
Riva2 750	934-371
Riva2 800	934-325
Riva2 1050	934-334

## 1. General

1.1 These instructions are supplementary to, and must be read in conjunction with, the instructions supplied with the appliance. Read both thoroughly before installing the appliance.

1.2 Fitting of this decorative front should be carried out after the appliance has been installed and commissioning tests completed.



All dimensions in mm

Model	A	B	C	D	E
Riva2 500	855	694	387	547	17
Riva2 750	1089	1015	709	783	17
Riva2 800	1173	1068	760	864	24
Riva2 1050	1443	861	552	1134	24

### RIVA2 500 & 750:

**PLEASE NOTE: THE RIVA2 500 & 750 MOUNTING BRACKETS FOR THE ICON XS ARE A COMMON PART THAT IS ALSO USED ON THE GAZCO VERVE XS FRONT. IF DESIRED IT IS POSSIBLE TO ALSO FIT A VERVE XS TO THESE APPLIANCES WITHOUT HAVING TO ALTER ANY SUB FRAME BRACKETS FITTINGS.**

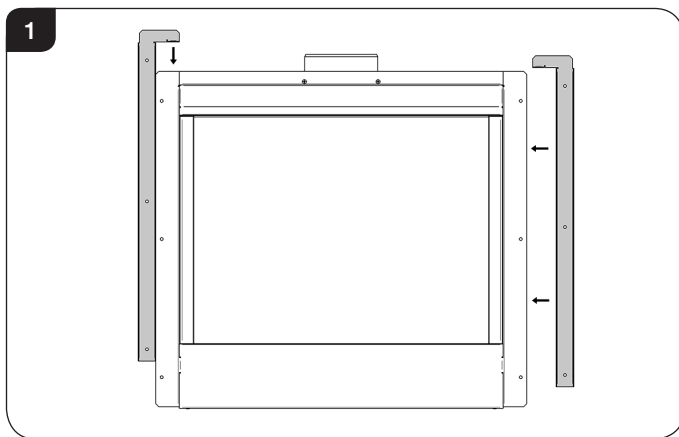
# Installation Instructions

## 2. Fitting the Sub-Frame

- 2.1 Complete the installation of the Riva2 500, 750, 800 & 1050 by following the Installation Instructions supplied with the appliance.
- 2.2 There are two different fitting methods depending on the Riva2 appliance purchased. Follow the relevant sections below.

### Riva2 500 & 750

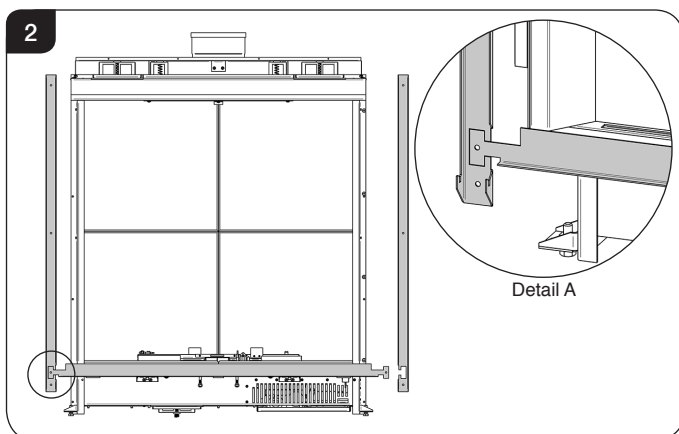
- 2.3 Offer the wall mounting brackets to the appliance and position so the interior edges of the sub-frame sit flush with the edges of the appliance flange, see Diagram 1.



- 2.4 Mark the position for the 6 fixing screws.
- 2.5 Remove the mounting brackets and drill the fixing holes and fill with rawl plugs.
- 2.6 Attach the mounting brackets to the wall using the screws provided.

### Riva2 800 & 1050

- 2.7 The position for the side mounting brackets are determined by the position of the lower bracket to the appliance.
- 2.8 Offer the bracket to the appliance and position so the top of the bracket is central in front of the Riva2 and level with the top of the appliance flange, see Diagram 2.

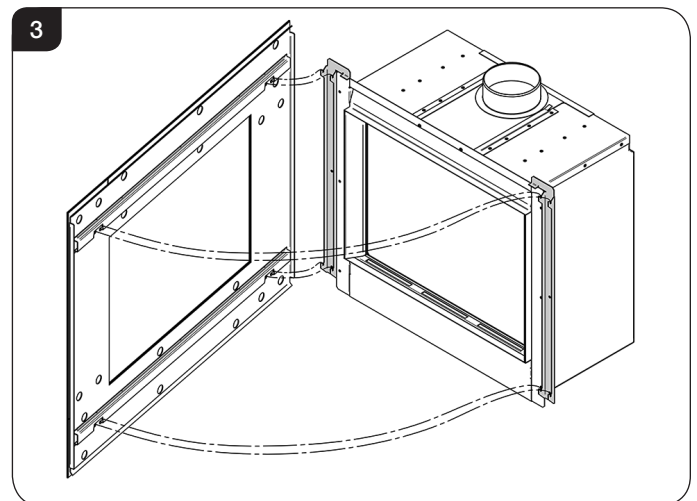


- 2.9 Mark the position for the 2 screw holes.
- 2.10 Remove the bracket and drill the fixing holes.
- 2.11 Fill with rawl plugs before securing the bracket to the wall.
- 2.12 Fit the side mounting brackets in place using the cut outs to fit over the lower bracket tabs, see Diagram 2 Detail A.
- 2.13 Mark the position for the 6 fixings screws.
- 2.14 Remove the mounting brackets and drill the fixing holes and fill with rawl plugs.
- 2.15 Attach the mounting brackets to the wall using the screws provided.

## 3. Fitting the Front

**IT IS RECOMMENDED THAT 2 PEOPLE FIT THIS FRONT FOR EASE OF INSTALLATION, PARTICULARLY LIFTING INTO FINAL POSITION.**

- 3.1 Rest the bottom fixing slots on the bottom locating hooks. Lift the upper front fixing slots onto the top locating hooks and lower into final position, see Diagram 3.



## 4. Cleaning the Front

**Ensure the appliance is cold before attempting to clean the front.**

- 4.1 **Glass:**  
Use a non-abrasive glass cleaner and soft cloth.
- 4.2 **Sub-frame:**  
The metal sub-frame should be cleaned using a damp cloth and buffed with a lint free duster.

**Gazco Limited, Osprey Road, Sowton Industrial Estate, Exeter, Devon, England EX2 7JG**  
**Technical Customer Services (01392) 261950 Fax: (01392) 261951**  
**E-mail: [technicalservices@gazco.com](mailto:technicalservices@gazco.com)**

A member of the Stovax Group  
E & O E