



Designio2 Frame

For use with Riva2 530/ 670 Gas
and Riva2 530/ 670 Electric



Instructions for Use and Installation
For use in GB, IE (Great Britain and Republic of Ireland)

Installation Instructions

Covering frame model numbers:

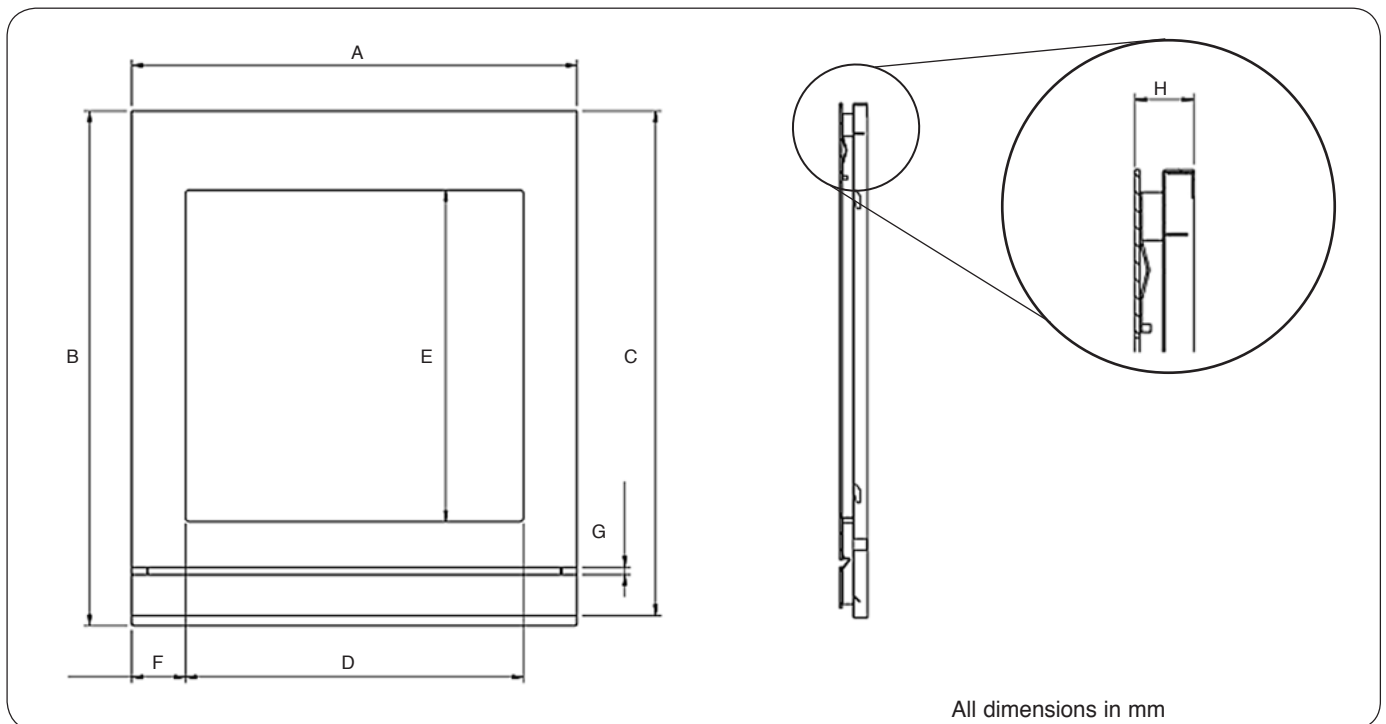
Model	Glass Frame Colour	
	Black	White
Riva2 530	934-293	934-310
Riva2 670	934-339	934-385

Model	Steel Finish	
	Graphite	Iridium
Riva2 530	934-187	934-187IR
Riva2 670	934-238	934-238IR

1. General

1.1 These instructions are supplementary to, and must be read in conjunction with, the instructions supplied with the appliance. Read both thoroughly before installation.

1.2 Fitting of this decorative front should be carried out after the appliance has been installed and commissioning tests completed.



Model		A	B	C	D	E	F	G	H
Riva2 530	Steel	610	704.3	690.3	463	453.9	73.5	10	38
	Glass	610	704.3	690.3	463	453.9	73.5	10	40
Riva2 670	Steel	735	569	553	590	318.9	72.5	10	38
	Glass	735	569	553	590	318.9	72.5	10	40

Installation Instructions

2. Fitting the Sub-Frame

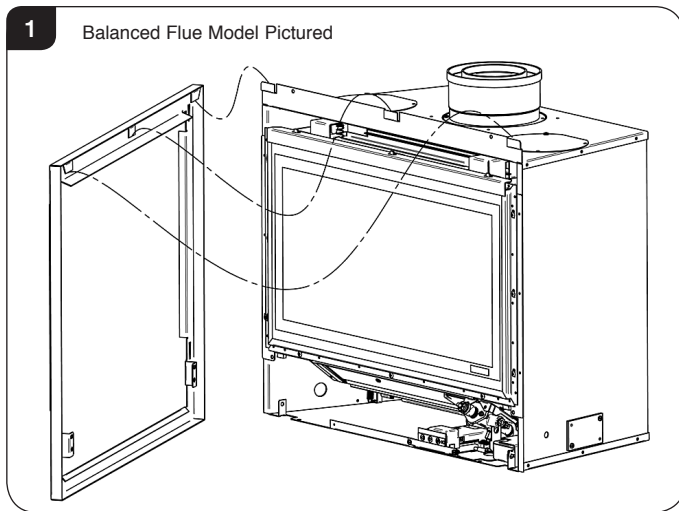
- 2.1 Complete the installation of the Gas or Electric Riva2 530 or 670 by following the installation instructions supplied with the appliance.



NOTE: The Riv2 670 Conventional Flue models have the screws already in place. These will need to be removed prior to fitting the sub-frame.

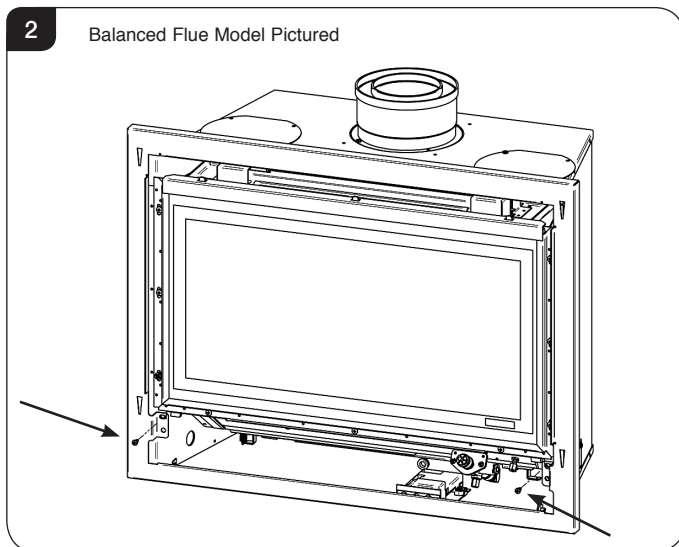
- 2.2 Locate the wall mounting bracket so that the tabs locate in the lugs on the top flange and the bracket rests against the top edge of the top flange. Ensure the bracket is resting centrally, (see Diagram 1).

1 Balanced Flue Model Pictured



- 2.4. Secure the bracket to the bottom of the appliance with the 2 screws supplied (see Diagram 2).

2 Balanced Flue Model Pictured

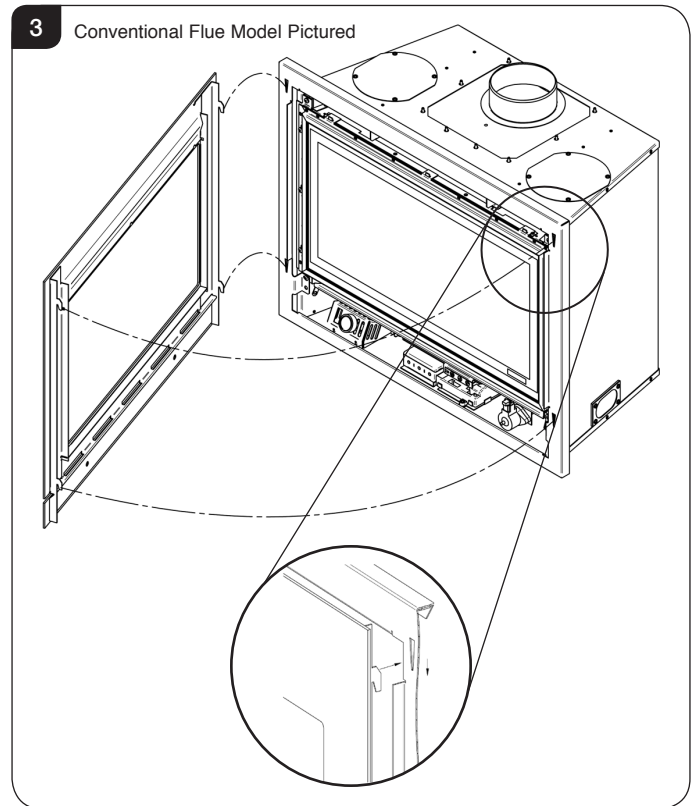


3. Securing Frame to the Appliance

IT IS RECOMMENDED THAT 2 PEOPLE FIT THIS FRAME FOR EASE OF INSTALLATION, PARTICULARLY LIFTING TO FINAL POSITION.

- 3.1 Rest the bottom fixing slots on the bottom locating hooks. Lift the upper frame fixing slots onto the top locating hooks and lower into final position (see Diagram 3)

3 Conventional Flue Model Pictured



4. Commissioning

- 4.1 Continue with the commissioning tests detailed in the installation instructions supplied with the appliance.
- 4.2 Ensure that this set of instructions is attached to the instructions for the appliance and leave with the user.

5. Cleaning the Frame

Ensure the appliance is cold before attempting to clean the frame.

- 5.2 Do not use abrasive cleaners.
- 5.3 Clean using a damp cloth and buff with a lint-free duster.

FIXING KIT COMPONENTS

COMP No.	Description	Quantity
PR0699	Instructions	1
FA 0041	Spire Clip	2
FA 0198	No.8 x 3/4 Black Washer HD Pozi	2

Distributed by



The Fireplace
0800 843 347 | 0800 The Fire
www.thefireplace.co.nz

Gazco Limited, Osprey Road, Sowton Industrial Estate, Exeter, Devon, England EX2 7JG
Technical Customer Services (01392) 261950 Fax: (01392) 261951
E-mail: technicalservices@gazco.com

A member of the Stovax Group