

JETMASTER GAS CONVECTOR INSTALLATION INSTRUCTIONS A TYPICAL IN-BUILT INTO TIMBER FRAMING

ALL INSTRUCTIONS TO COMPLY WITH GAS INSTALLATION AS/NZS 5601.1:2013 & AS/NZS 5263.0.2017

*Due to continued product improvement, The Fireplace Ltd reserves the right to change product specifications without prior notification
As per AS/NZS 5263.0.2017 2.15.2.3. - DO NOT USE AN UNLINED MASONRY CHIMNEY AS THE FLUE FOR THIS APPLIANCE*

JETMASTER IGC BOX DIMENSIONS

Table 1

Model	A	A1	A2	B	C	D	E	F	G	Y
700	700	800	750	341	650	290	200/250	630	265	235
850	850	950	900	341	650	290	250/300	630	265	235
1050	1050	1150	1100	341	570	290	250/300	550	265	235
1200	1200	1300	1250	341	570	290	250/300	550	265	235

Dimensions in mm

Fig. 1

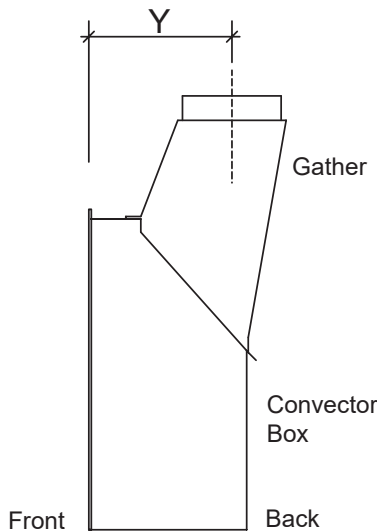
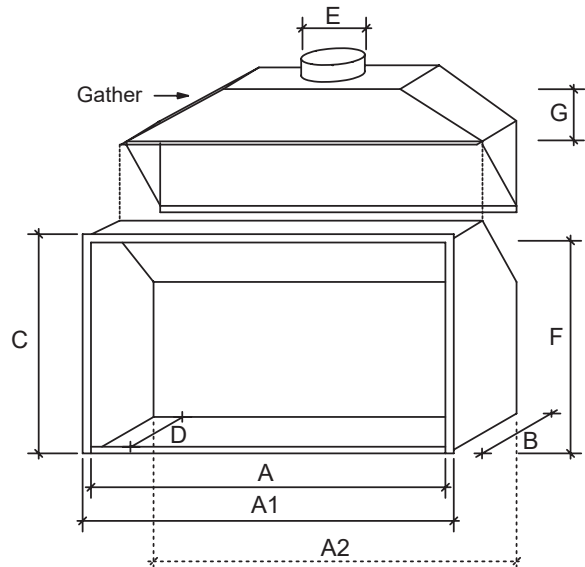


Fig. 2



Drawings Not To Scale

IMPORTANT: Read all instructions carefully before starting installation. Failure to follow these instructions may result in a fire hazard and will void the warranty.
This appliance must be serviced every 12 months by a registered gas fitter.

TRIM OUT DIMENSIONS

6.G.6B

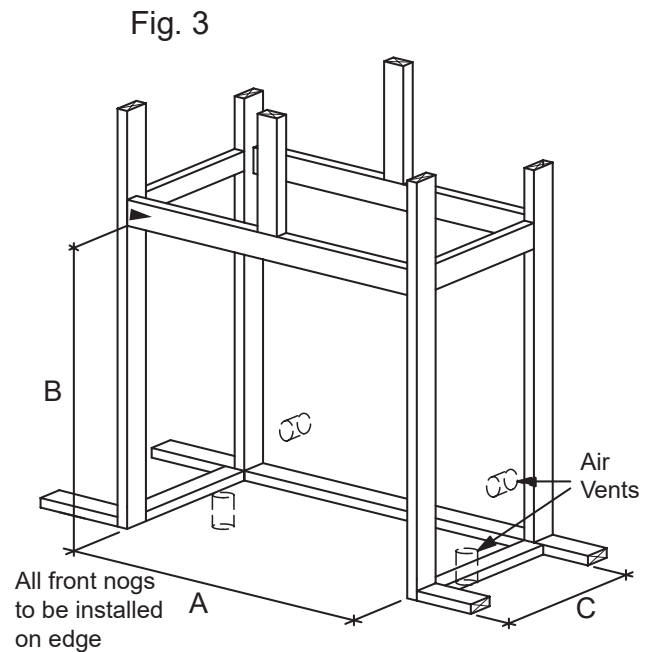
Table 2

MODEL	A	B	C	Temporary Lintel*
700	850	730	450	1200
850	1000	730	450	1200
1050	1200	650	450	1200
1200	1350	650	450	1200

Dimensions in mm

*Allow temporary lintel height until firebox & flue is installed

Note: these dimensions are the absolute minimum sizes - widths (A & C) maybe increased if desired. It is important to ensure the Jetmaster firebox is seated on top of the finished floor protector level.



CAVITY / FRAMING PREPARATION

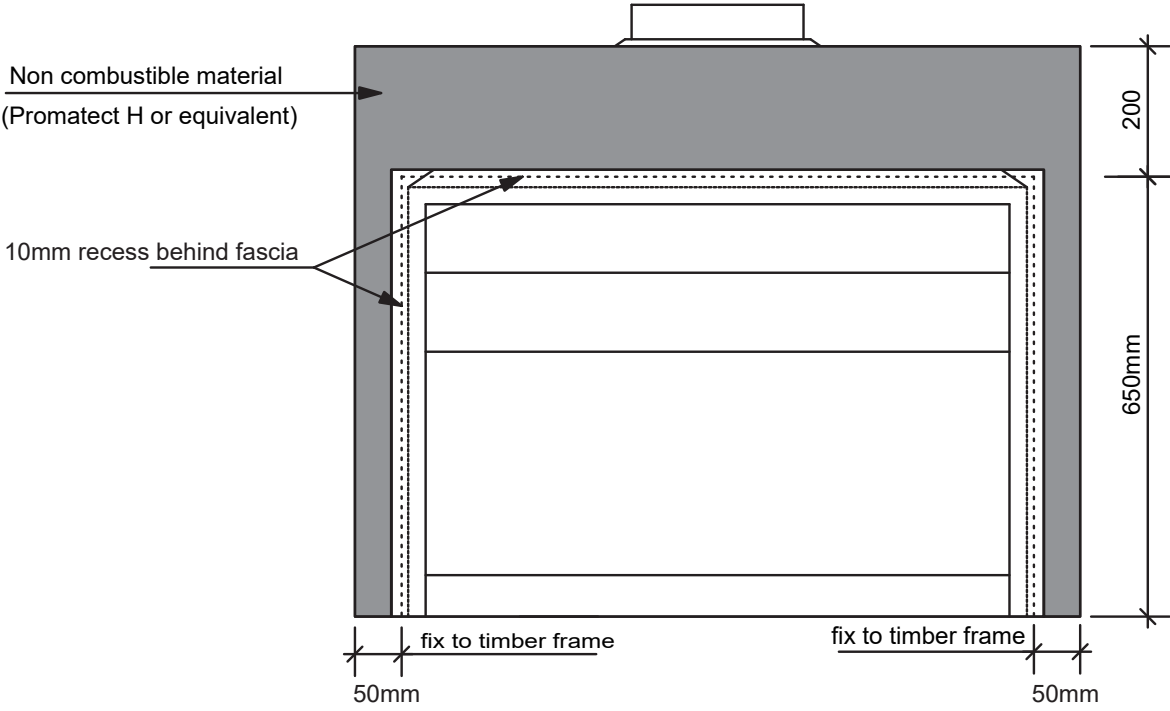
1. Refer to the minimum framing dimensions as per Table 2 / Fig 3. Allow a temporary 1200mm lintel height, until the convector box and flue is installed. Install front nogs on edge to increase chimney chase dimension.
2. For timber frame, use 6mm Hardiflex board to line the FLOOR, REAR AND SIDES of framed cavity of framed cavity to be taken to a minimum height of 1200mm from the firebox base.
3. Air Vents to be minimum cross sectional area of 5000sq.mm in total. Use 100 x 50mm air vent or similar each side of the firebox. For wooden floors locate in floor, for concrete floors locate in walls. All air vents to be bird and rodent proof.
4. If intending to recess the firebox, the maximum recess value is 100mm. Refer to Fig. 7.

MARGIN SET

Under no circumstance is the width of the vertical margin legs to be less than 50mm and the height of the margin lintel to be less than 200mm (see Fig 4).

Where an internal wall board finish is required around the fire, ensure allowance is made to place non-combustible internal wall lining (eg: Promatect H) shown shaded. Directly touching the firebox with any board or plaster finish will cause cracking from heat expansion. Allow 2mm minimum space away from the firebox.

Fig. 4



1. Fit and seal gather, using fire cement (exhaust cement) and bolts (supplied), to the convector box. Note: Pop rivet back of gather to convector box if required.
2. Locate and position convector box and gather in cavity.
3. Earthquake restraints holes are located under the cover where the receiver and battery pack are situated.
4. Attach rock wool to the sides & back of the convector box and gather. **DO NOT BLOCK OFF** the air entry between the inner flue pipe and flue pipe casing or the air circulation between the vent holes in the cavity.
5. Drill a hole or use the knock outs in the convector box for the Gas Line and if a wall switch is being installed for the cable.
6. A minimum 300mm non combustible floor protector (hearth) is recommended in front of the convector box. Ensure that the material used is level with the convector box base.

CROSS SECTION

Fig. 5

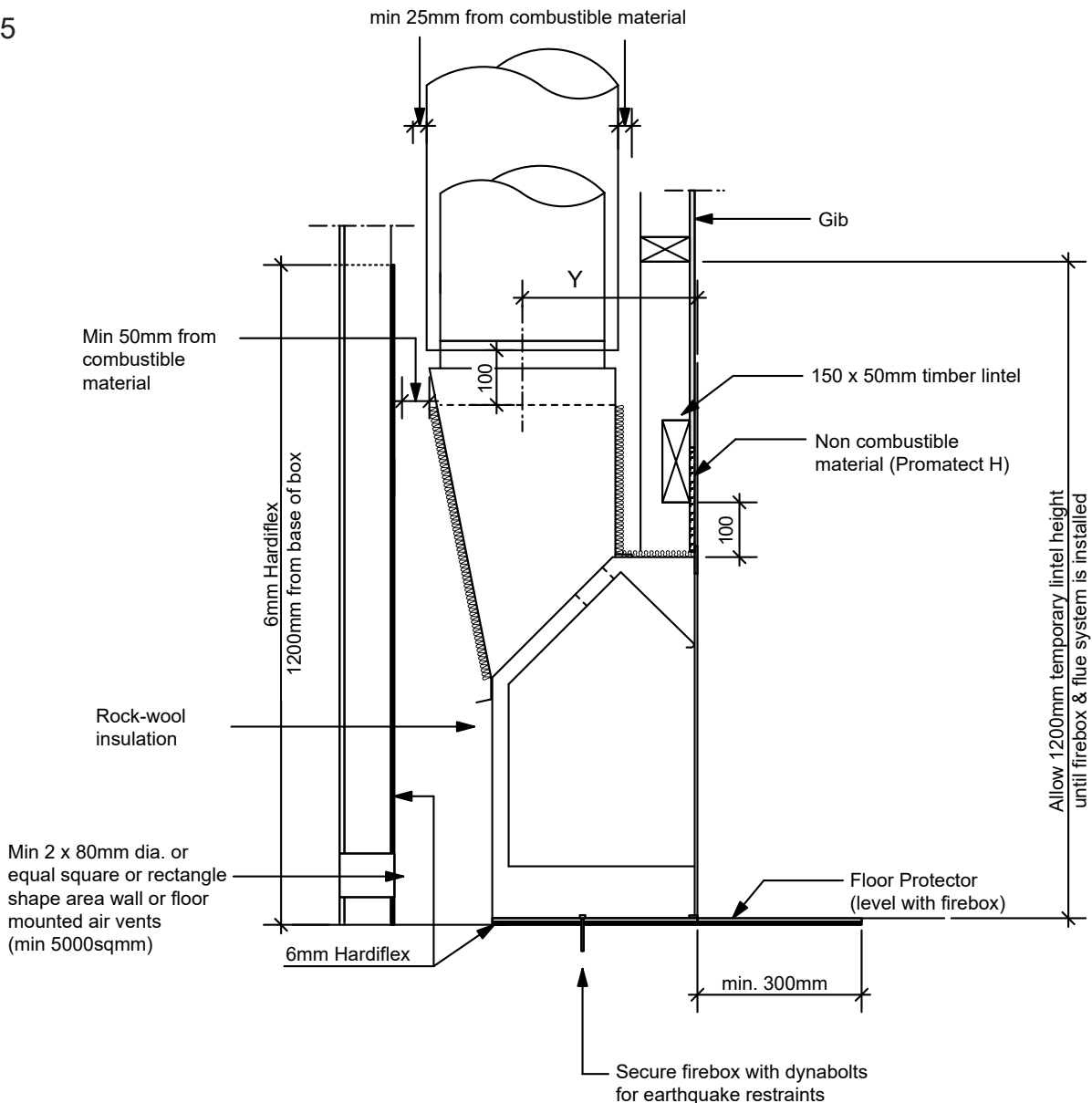
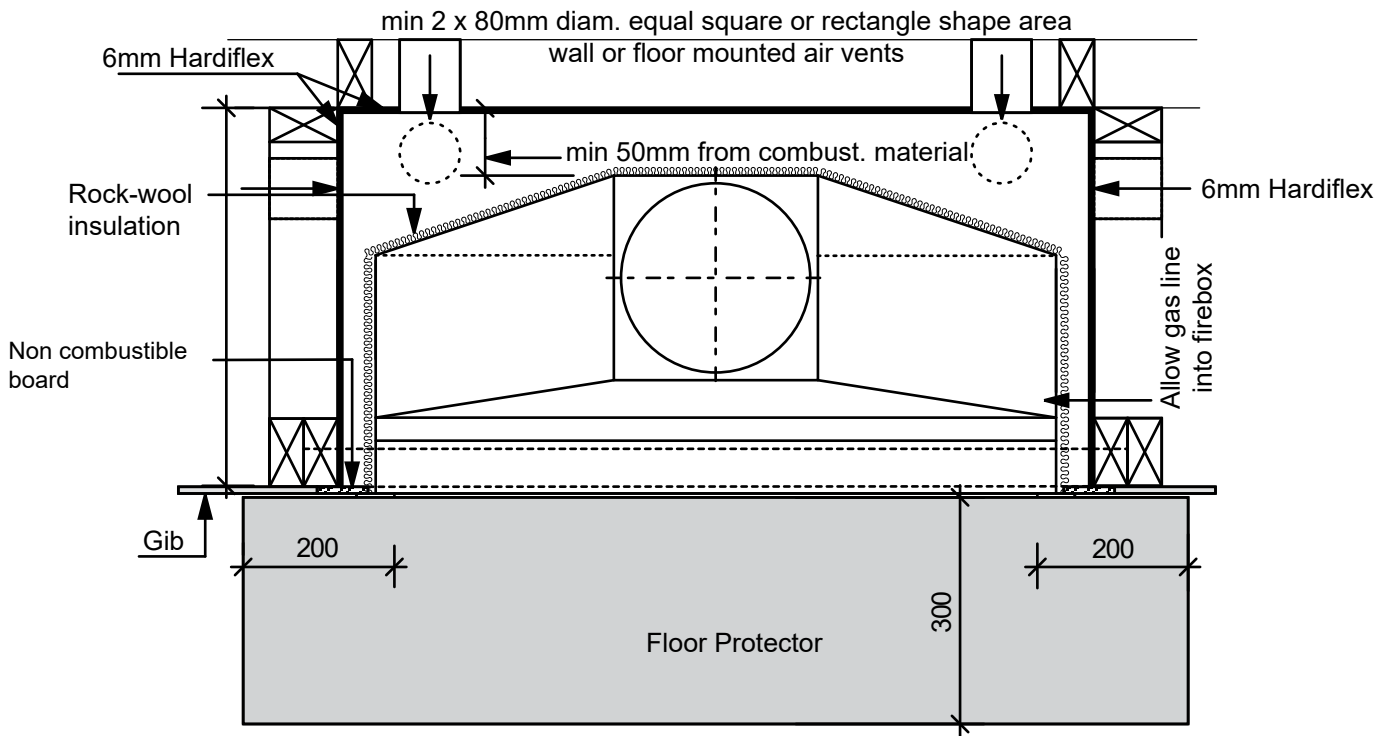


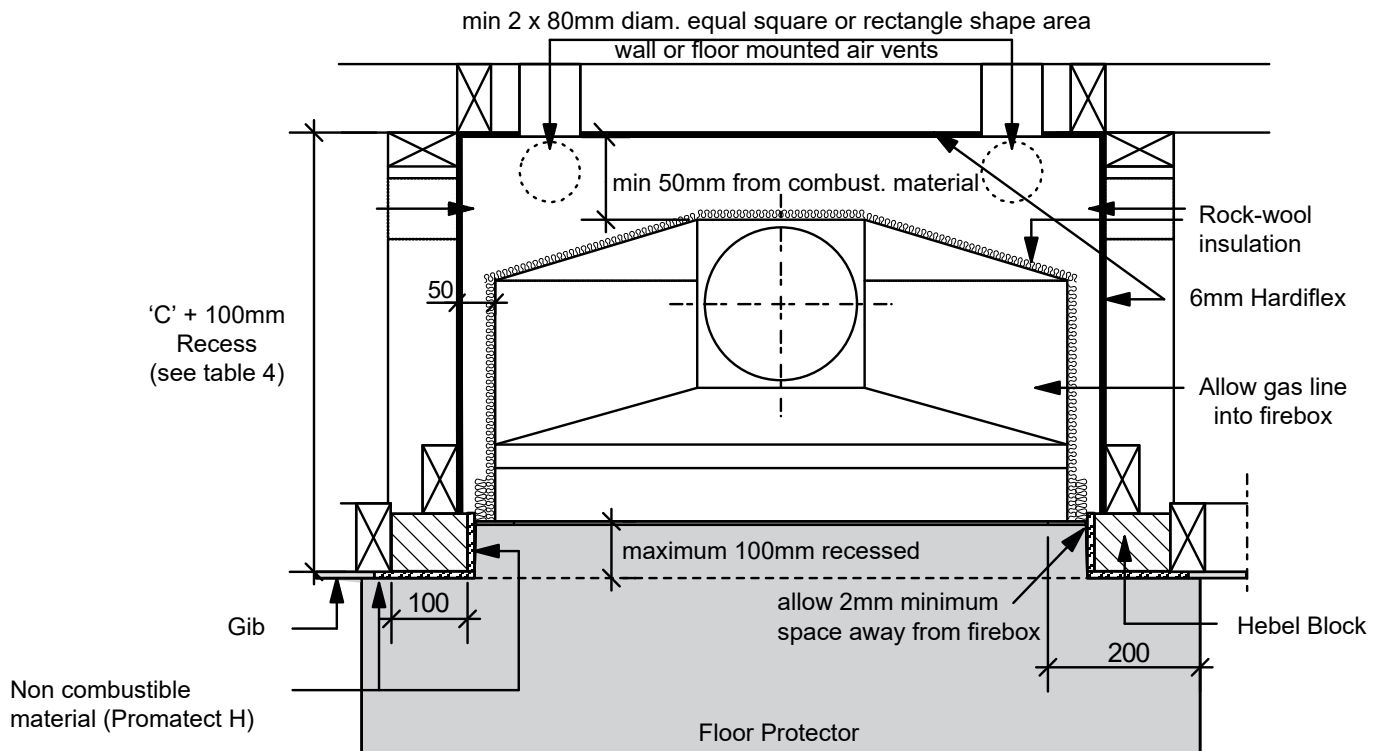
Fig. 6



RECESS PLAN

Maximum Firebox Recess Value = 100mm

Fig. 7

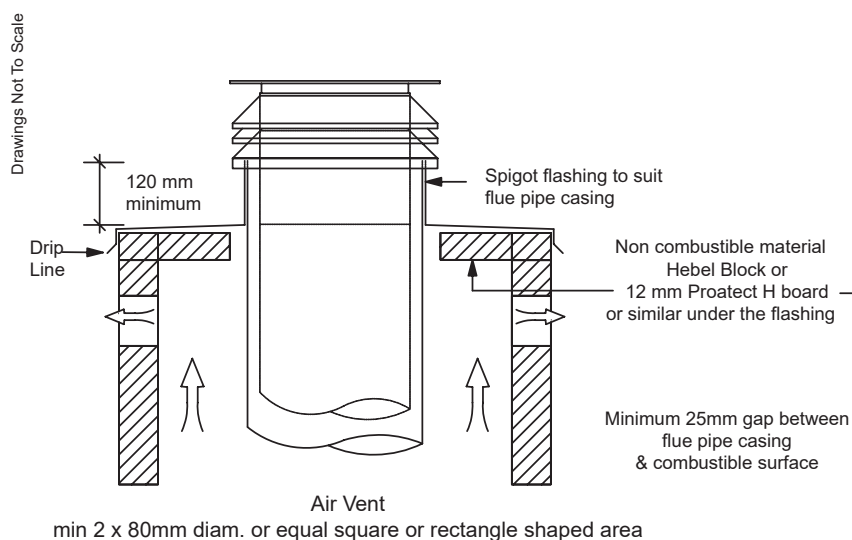


1. Install first length of flue pipe crimped end down, inside gather collar. Rivet flue pipe in 3 places around gather collar. Place bottom flue spider bracket around gather flue pipe collar, secure in position by tightening up coach bolt/screw (supplied).
2. Install second length of the flue pipe crimped end down and fix by riveting in at least 3 places around the flue pipe joint.
3. Install first length of the flue pipe casing by positioning on installed bottom flue spider bracket crimped end up.
4. Position flue spacer at the flue pipe joint.
5. Repeat steps 1 - 4. As per manufacturers recommendation, the flue pipe shall extend not less than 3.6m above the fire box.
6. The flue is required to be at least 500mm above the nearest point on any part of the buildings roof and neighbouring buildings if within a 3m radius. Refer to AS/NZS 5601.1:2013 for further information.
7. The last length of flue pipe needs to extend past the flue pipe casing by at least 150mm or flush with the top of the casing cover spigot when fitted - sizing/measuring and cutting down should be carried out prior to the flue pipe casing being fitted over the flue pipe.
8. Before fitting casing cover, place the spider in opposition with the spider post facing down between the flue pipe and flue pipe casing. Secure spider in position. Place the casing cover over the flue pipe, press down firmly onto the spider. Check airway around the casing cover is clear, then secure in position using three stainless steel rivets.
9. Fit cowl to top of flue - **DO NOT RIVET IN POSITION**. In high wind areas, it is recommended that the cowl be secured in position with a stainless steel self tapping screw, this will enable the cowl to be removed for cleaning. Discuss Bird Proofing needs with your installer. N.B. in extreme wind areas it may be necessary to consult The Fireplace Ltd or your local agent for further technical assistance Ph: 09 623 6996.
10. If flue is concealed in a chase, allow for air vents (2 x 80mm diam. or equivalent) at the highest possible point on the chimney chase or alternatively, allow a min 25mm air space between the casing cover spigot and the outer casing. Refer to Figure 8 and 9.

CHIMNEY CHASE AIR VENTILATION

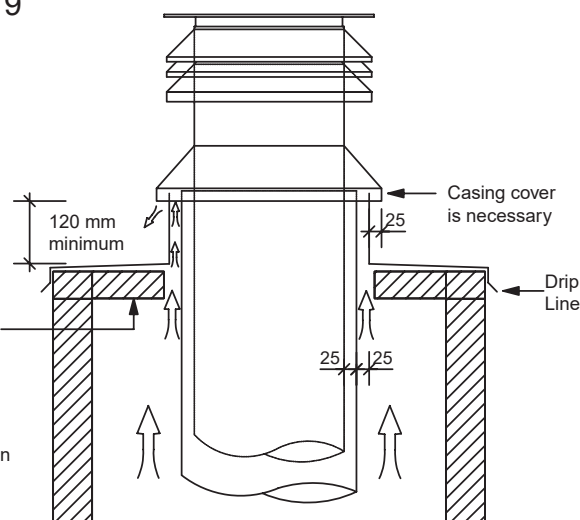
Air Ventilation Through Chimney Chase

Fig. 8



Air Ventilation Through Top Flashing

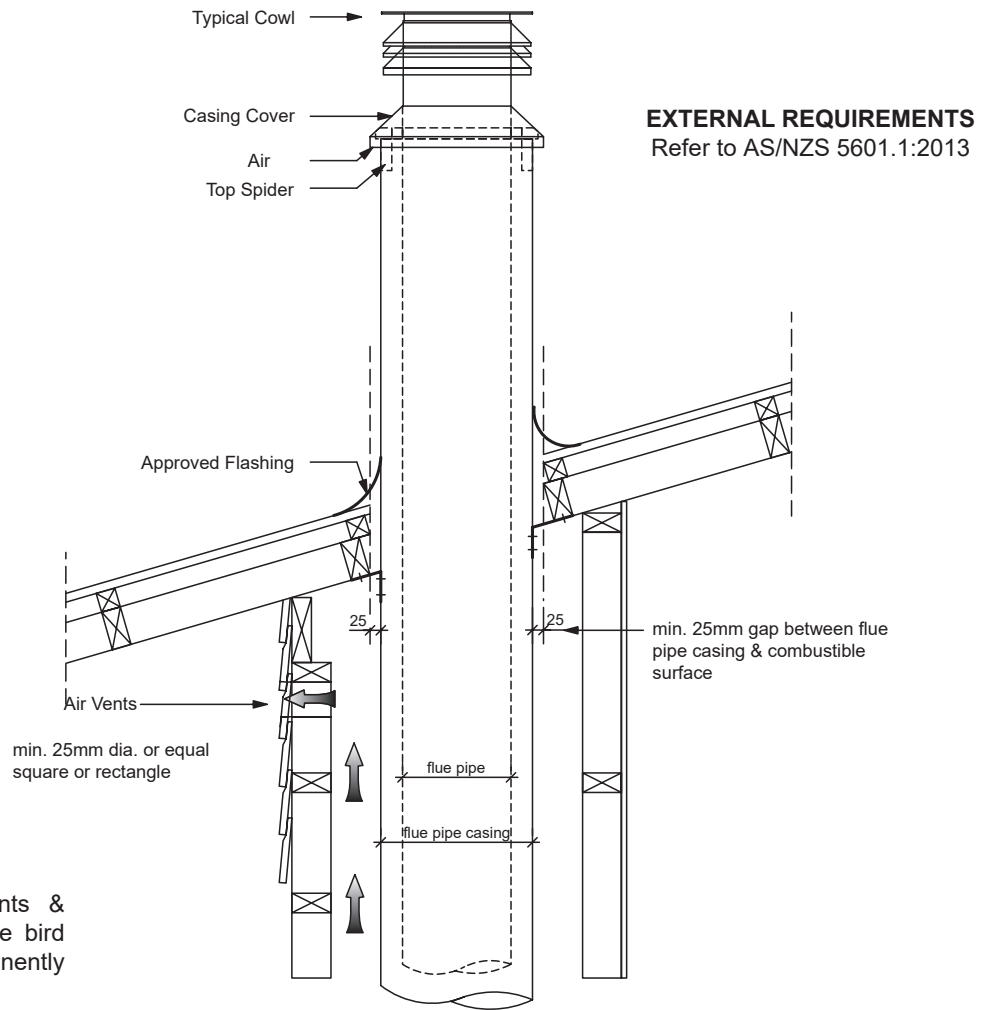
Fig. 9



Note: All external air vents & ceiling penetrations must be bird & rodent proofed with permanently fixed screens

Fig. 10

Drawing Not To Scale

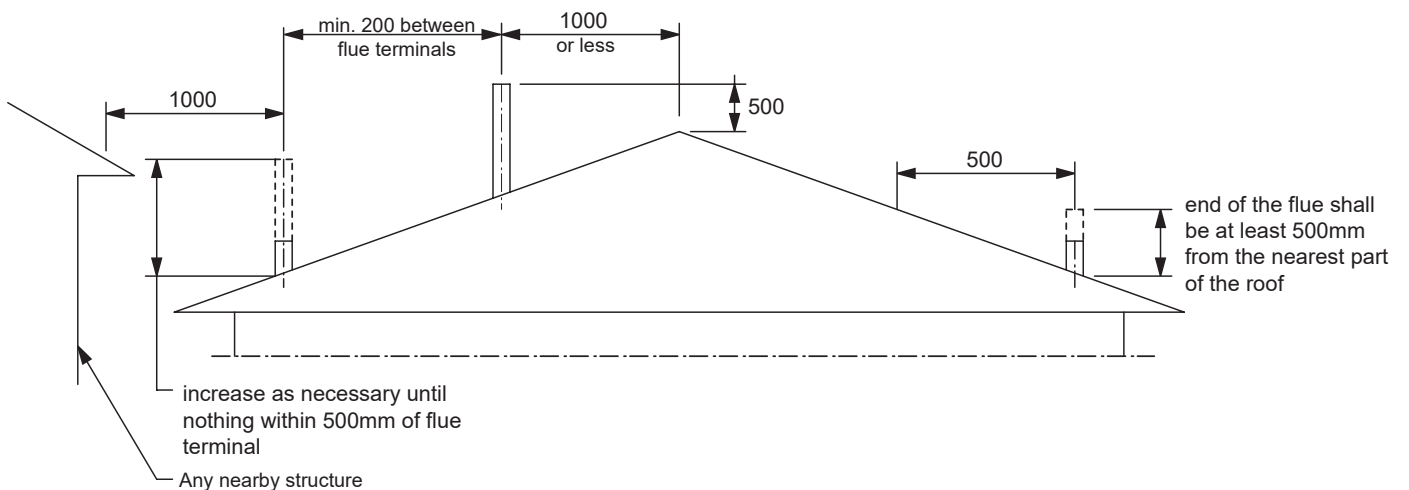


Note: All external air vents & ceiling penetrations must be bird & rodent proofed with permanently fixed screens

MINIMUM HEIGHT OF FLUE SYSTEM EXIT

As per AS/NZS 5601.1:2013 Flue Terminals

Fig. 11



CHIMNEY CHASE MINIMUM TRIM OUT

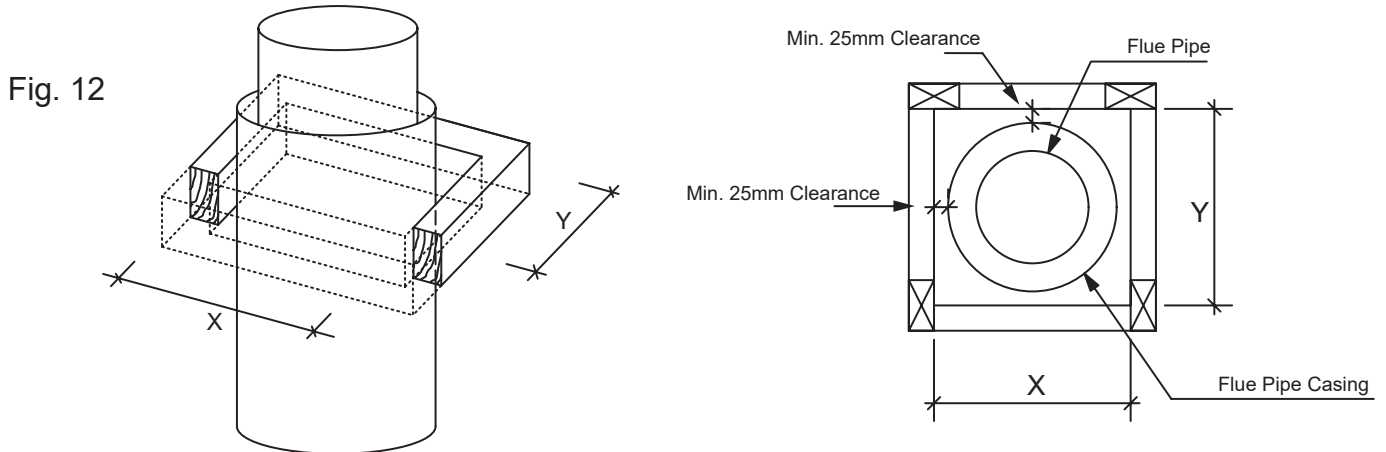
6.G.6H

Table 3

MODEL	FLUE SYSTEM	MINIMUM TRIM OUT DIMENSION	
		X (min)	Y (min)
700	200/250	300	300
850	250/300	350	350
1050	250/300	350	350
1200	250/300	350	350

Dimensions in mm

Note: A minimum 25mm clearance from flue pipe casing to combustible material must be maintained.



CLEARANCE TO COMBUSTIBLE MANTELS

If you are using a decorative surround constructed of combustible material, it must be located within the shaded area defined in Fig. 13.

Fig. 13

