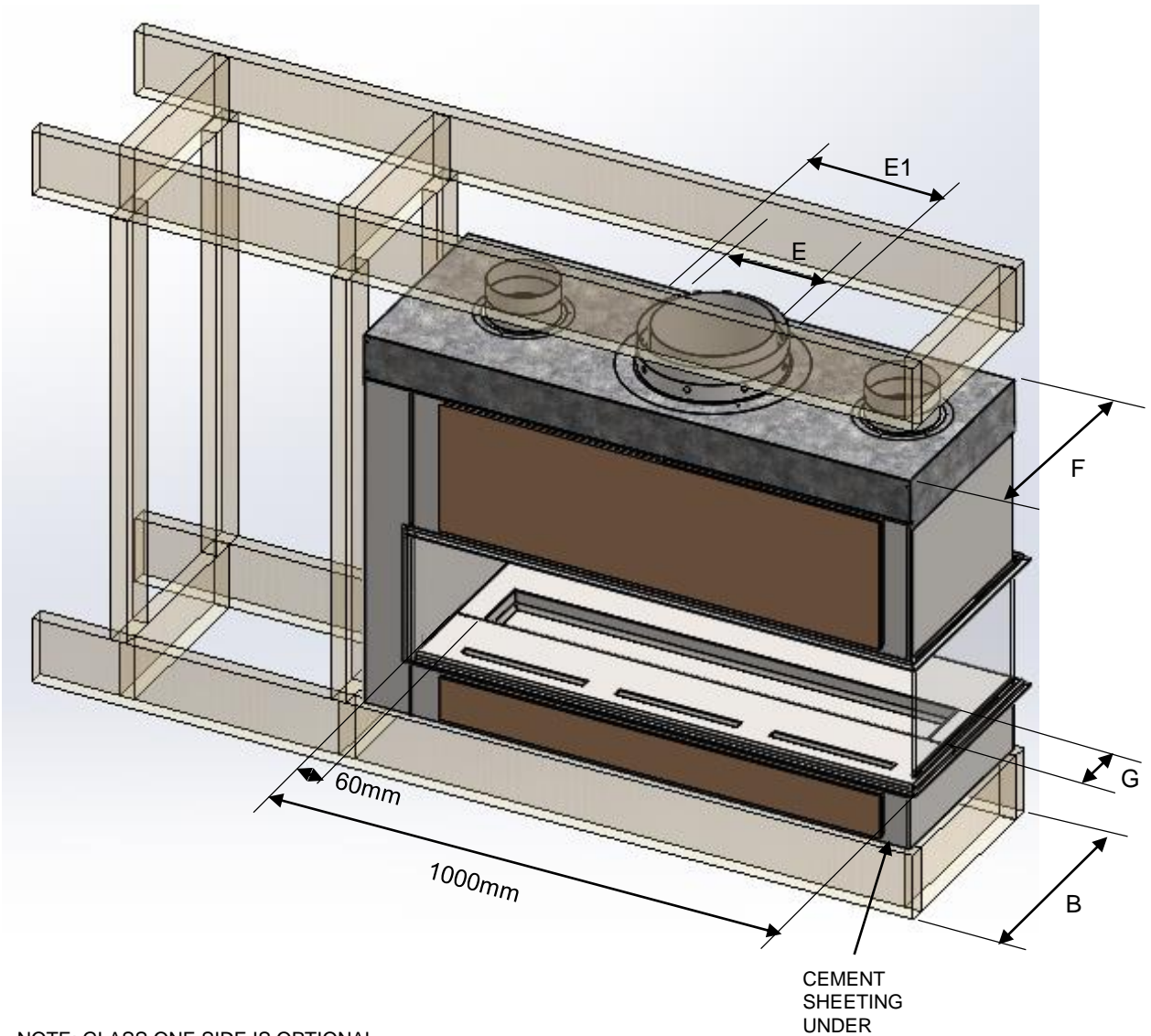


Measurement and Specification of NDEI

HORIZON THREE SIDED : PAGE 1



NOTE: GLASS ONE SIDE IS OPTIONAL

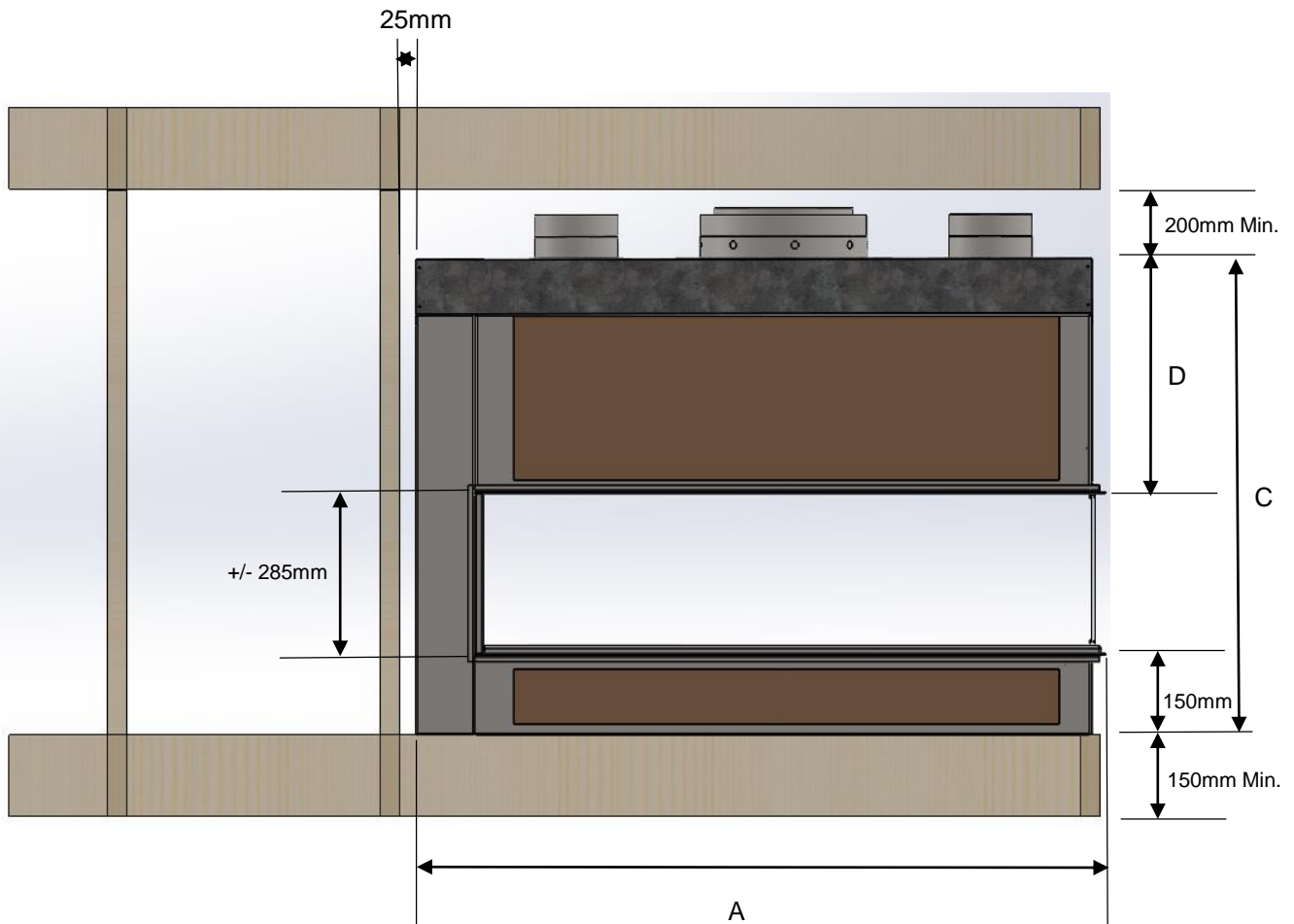
THREE SIDED	A	B*	C	D	E	E1	F	G
1100 LOW LINE	1270	480*	870	435	10"	12"	450	135
1500 LOW LINE	1680	490*	1000	565	12"	14"	435	60

* NOT INCLUDING 10MM FIBRE CEMENT SHEETING

Installation Instructions Kemlan Natural Draft Electronic Ignition Gas Fireplaces

Measurement and Specification of NDEI

HORIZON THREE SIDED : PAGE 2



THREE SIDED	A	B*	C	D	E	E1	F	G
1100 LOW LINE	1270	480*	870	435	10"	12"	450	135
1500 LOW LINE	1680	490*	1000	565	12"	14"	435	60

* NOT INCLUDING 10MM FIBRE CEMENT SHEETING