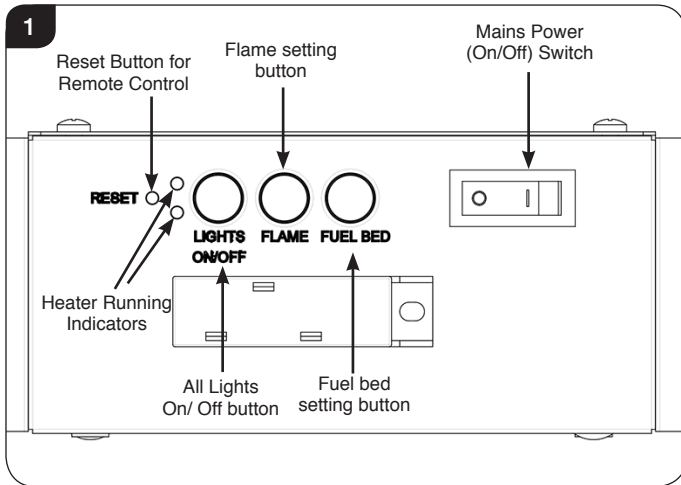


User Instructions

2a. Manual Control Panel

- 2a.1 The manual controls on appliance are located at the upper right of appliance.
- 2a.2 Turning on the appliance with the main power switch on '—' position. A long beep will be heard.
- 2a.3 Press "LIGHTS ON/OFF" to turn on or turn off both the flame and fuel bed at the same time.
- 2a.4 There are 3 flame colour options:
Press "FLAME" button to select the colour of flame (3 kinds of flame colour with flame) or return to the OFF position.
- 2a.5 Press "FUEL BED" button to select the colour of fuel bed (14 kinds of fuel bed) or return to the OFF position.



Note: The appliance will lose the memory for all function settings when the switch is set to the Off Position. When the remote runs out of power, only the light functions will lose memory.

Heater Running Indicators (see Diagram 1)

- 2a.6 When the fan heater is used in conjunction with the flame or fuel bed effects the heater running indicators will light up for 10 seconds.

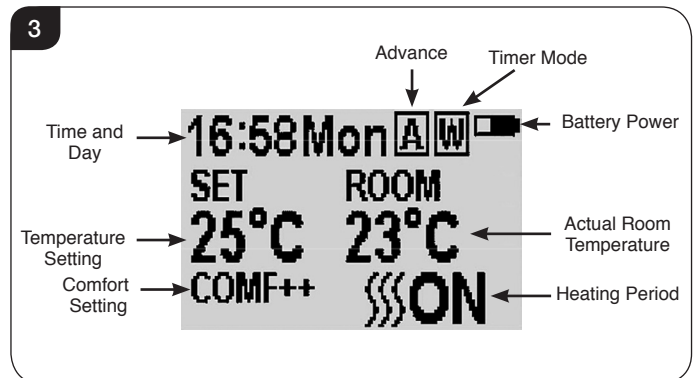
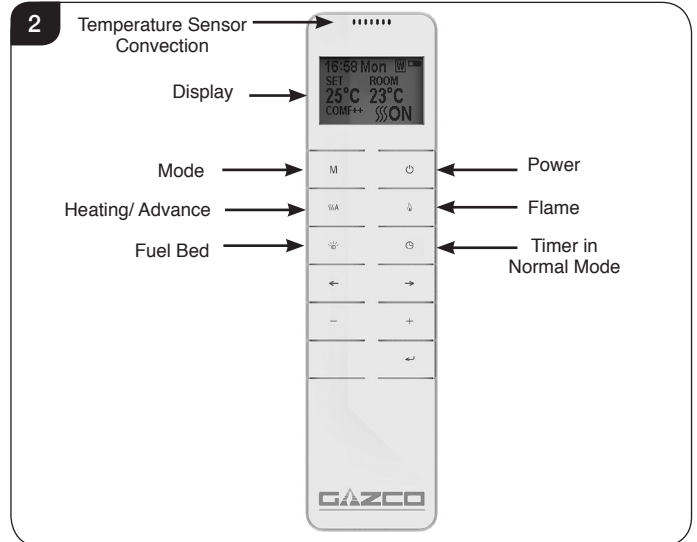
The LEDs will illuminate for 10 seconds if the flame or fuel bed effect is On.
If the fan heater is used independently, the heater running indicators will stay on.

Reset Button for Remote Control

- 2a.7 **If the handset loses signal or needs to be replaced then, see Section 17 in Servicing Section for details.**

2b. Remote Controls

The remote control should be left on a flat surface in the room where the appliance is installed and away from any direct flow of hot air.



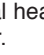


Signal Code

- 2b.1 The remote control works by radio signal. The handheld transmitter is configured in the factory with a unique signal code.

IMPORTANT: If the handset loses signal or needs to be replaced then, see Section 17 in Servicing Section for details.

Turn on/off.

- 2b.2 Press  button to turn on the flame effect.
- 2b.3 Press  button to turn off all the functions under the normal heating control mode including flame effect and fan heater.
- 2b.4 Press  button to turn off the flame effect under daily and week timer heating mode.

Installation Instructions

Technical Specification

These instructions cover the following models:

Skope Inset 85R	Skope Inset 105R	Skope Inset 135R	Skope Inset 195R
210-009	210-017	210-023	210-031

A 230V $\pm 10\%$ 13A 50Hz supply is required

Maximum power consumption:

Skope Inset 85R: 2000 Watts

Skope Inset 105R: 2000 Watts

Skope Inset 135R: 2000 Watts

Skope Inset 195R: 2000 Watts

THIS APPLIANCE MUST BE EARTHED

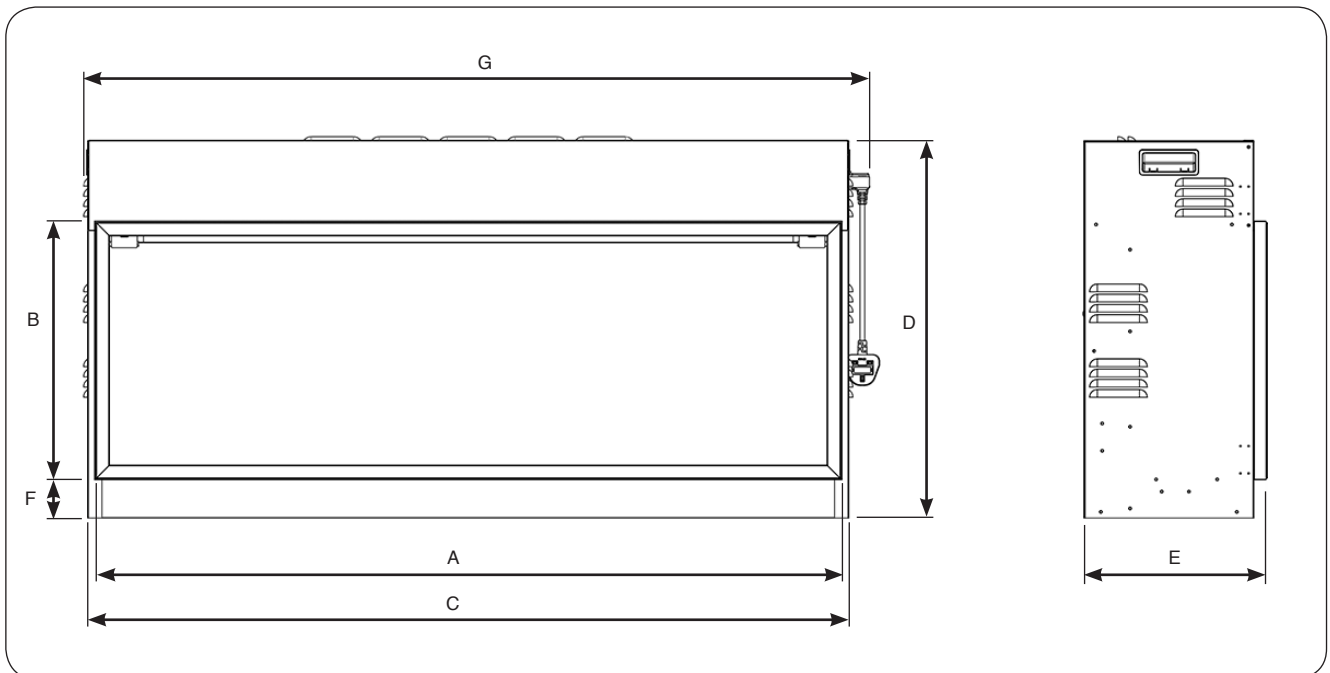
A 1.8 metre lead with a BS1363 plug containing a BS1362 13A fuse is supplied. Only use a BS1362 13A fuse with this appliance.

2 x Remote control handset battery (AAA)

PACKING CHECKLIST

Appliance Description	Fixing Kit containing:
Skope Inset 85R Skope Inset 105R Skope Inset 135R Skope Inset 195R	1 x Instruction Manual 1 x Remote Control 2 x AAA Batteries 4 x Fixing Brackets 10 x Screws ST4x8 4 x Screws ST4x12 1 x Plug Bracket 1 x Power Cable Box 1 Grey Pebble Effect Clear Pebble Effect Box 2 Small Glass-Effect Crystals Large Glass-Effect Crystals Box 3 1 x Log Set Box 4 1 x Log Set

Note: Box numbers will vary depending on appliance model.



Model	A	B	C	D	E	F	G
Skope Inset 85R	900	380	920	560	270	57	957
Skope Inset 105R	1100	380	1120	560	270	57	1157
Skope Inset 135R	1400	380	1420	560	270	57	1457
Skope Inset 195R	2000	380	2020	560	270	57	2057