



Fire Your Imagination

Installation Mounts

Electric Studio Range

Important



These instructions must be read in conjunction with the Installation and User Instructions for:

Studio Electric Range - PR1322

In order to improve the performance of the appliance the addition of rubber mounts that reduce any possibility of vibration noise have been designed. These simple instructions detail how to fit the modifications and increase the enjoyment of the product.

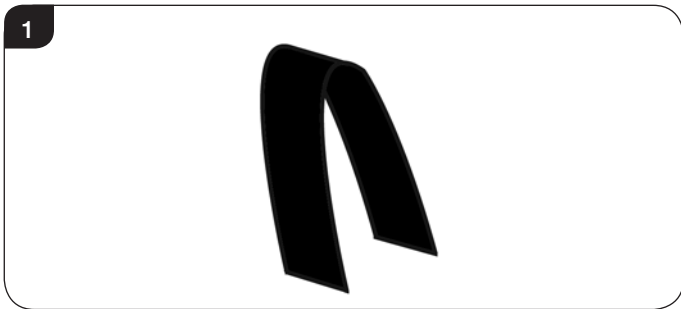
Packing List

All Models

- 1 x Instructions
- 6 x Rubber Mounts

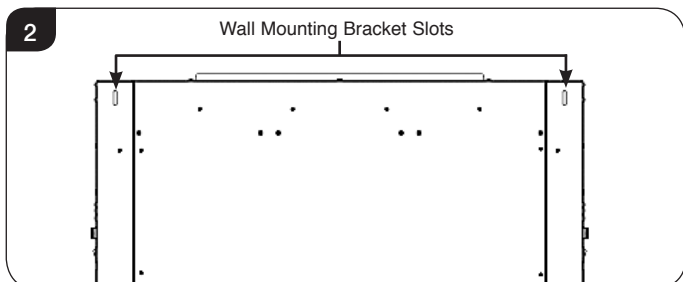
1. Installation Instructions

- 1.1 The rubber mounts are U-Shaped in order to fit into the slots in the appliance, see Diagram 1.

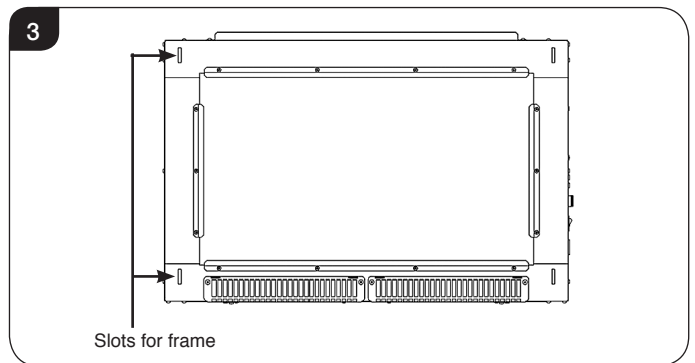


- 1.2 To install the clips fit them over the slots in the Studio appliance.

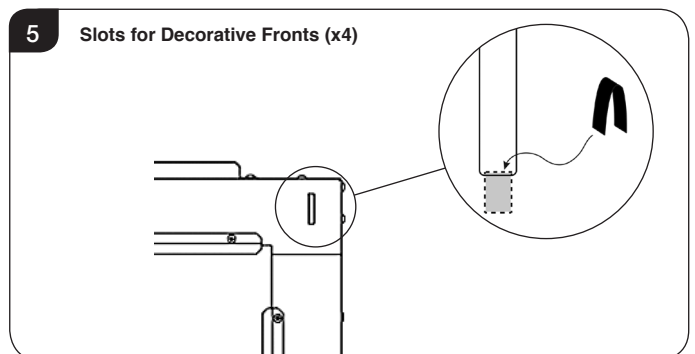
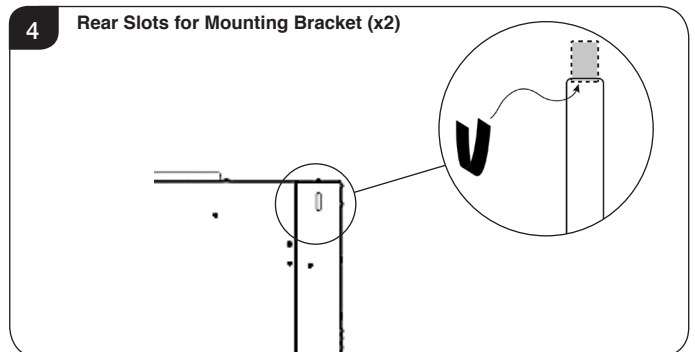
- 1.3 There are two slots on the rear of the appliance for the hooks on the wall mounting bracket, see Diagram 2.



- 1.3 There are four slots on the front of the appliance for the hooks on the decorative frame, see Diagram 3.



- 1.4 The mounts must be fitted before the installation of the appliance and frame, see Diagram 4 & 5.



PR1767 Issue 1 (July 2012)