



# Electric Riva

## Wall Mounting Kit



**Instructions for Use, Installation & Servicing**  
For use in GB & IE (Great Britain & Republic of Ireland).

# Installation Instructions

For use with the following models:

Riva 67 Electric	Riva2 670 Electric
8590SLELR	234-872

## 1. General

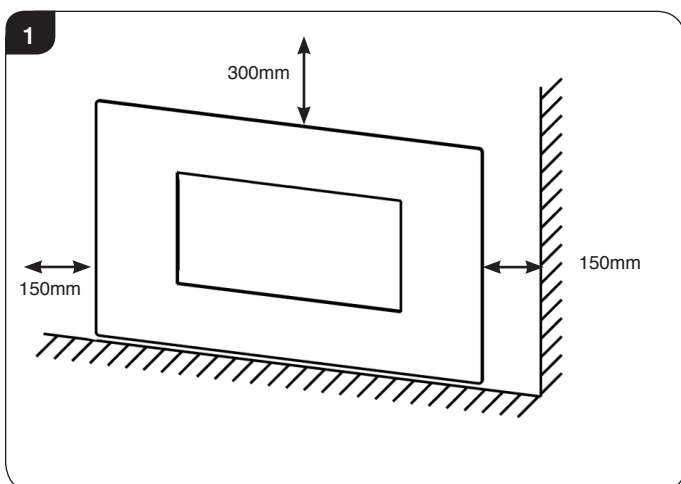
- 1.1 These instructions must be read in conjunction with the Installation Instructions supplied with the appliance. Read both thoroughly before installation.
- 1.2 The appliance should not be sited where the heat outlet is closer than a metre to facing walls, soft/delicate furnishings or any curtains.
- 1.3 If the installation is to be at floor level the appliance must stand on a non combustible surface which projects at least 300mm to the front. Do not allow rugs or carpets to be placed within 300mm of the front of the appliance.
- 1.4 A power supply socket must be within 2 metres of the fire's power cord outlet (rear right). It is recommended the appliance is placed in the intended position to find out if the plug reaches the socket.

## 2. Installation



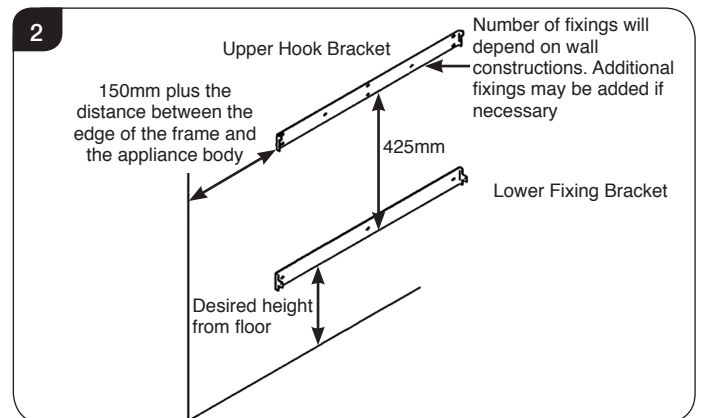
**IMPORTANT** Before fitting consider whether different wall fixing plugs need to be purchased to support the weight of the chosen frame on the intended type of wall. Additional fixing holes may be required in the wall bars to strengthen the structure for heavier frames or studwork walls.

- 2.1 If installing onto a hearth or non-combustible floor ensure a front which allows hearth mounting is used. All other fronts require the appliance to be raised above floor height.
- 2.2 Prior to installation ensure the minimum clearances are observed, see Diagram 1.



## Wall Bars

- 2.3 The Top bar has a hook  
Lower bar has flange and screw hole, see Diagram 3.
- 2.4 Make sure there are no pipes or cables behind the area you drill.
- 2.5 Decide on the height of the appliance ensuring the appliance is raised to a distance appropriate for the chosen front.  
For measurements refer to the front dimensions on page 6 in the appliance installation manual.
- 2.6 Position the Lower Fixing Bracket and mark the positions for the retaining screws. Remove the bracket and drill the holes.
- 2.7 Place the fixing plugs into the holes and secure the lower bracket using the screws provided.
- 2.8 Place the Upper Hook Bracket on the wall and mark the position ensuring that the distance between the bottom of each bracket is 425mm, see Diagram 2.

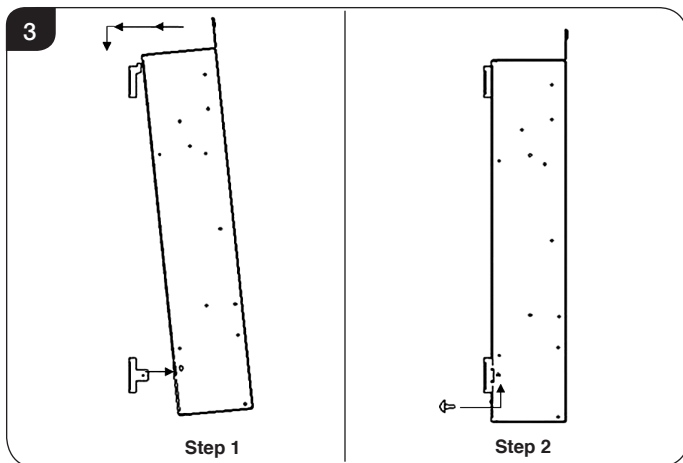


- 2.9 Use a spirit level to check the bars are straight. Mark the positions for the retaining screws. Remove the bracket and drill the holes
- 2.10 Place the fixing plugs into the holes and secure the upper bracket using the screws provided.

## Fire Box

- 2.11 Lower the 'fire box' onto the top wall bar hook so that the rear slot on the top of the fire locks over the hook.
- 2.12 Rotate the 'fire box' flat to the wall so that the flange in the lower bar fits with the bottom fire box slot, see Diagram 3.

# Installation Instructions

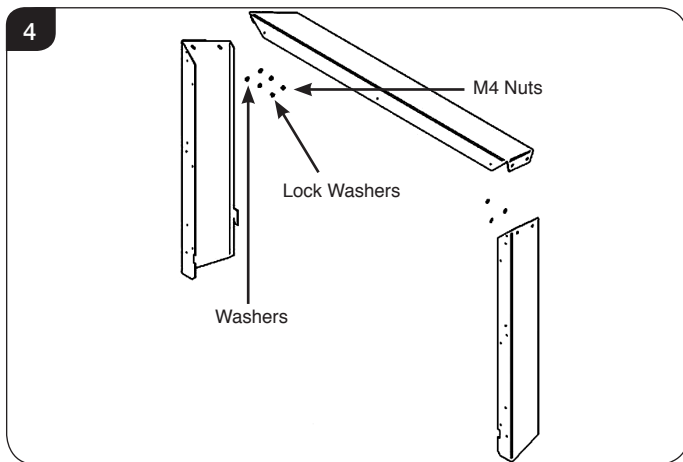


2.13 Use two No.6 x 12 screws from the kit to fix the fire through both sides into the holes in the lower bar.

**IMPORTANT: IT IS VITAL THAT THE APPLIANCE POWER SUPPLY IS CONNECTED TO THE PRODUCT AT THIS STAGE.**

## Wall Box

2.14 Join the three pieces of wall box together, See Diagram 4.



2.15 Insert threaded studs in the sides through the holes in the end flanges of the top.

2.16 Secure using:  
1) Flat washers  
2) Nut lock washers  
3) M4 nuts

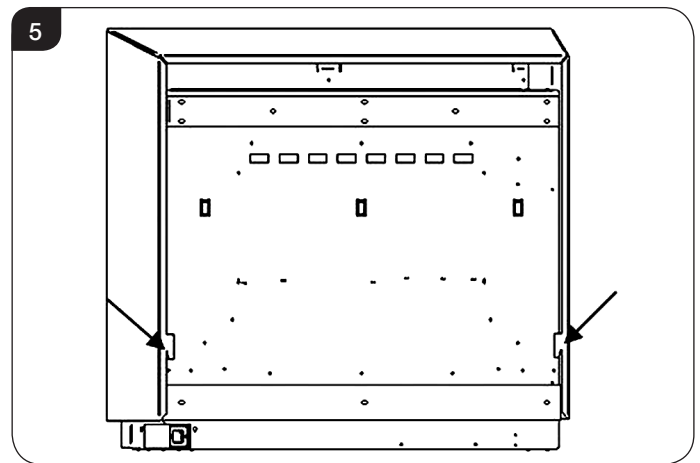
Before tightening, make sure the front face of the box structure is level.

2.17 Press face down onto a soft flat surface to protect from scratching or damage.

2.18 Now tighten the nuts.

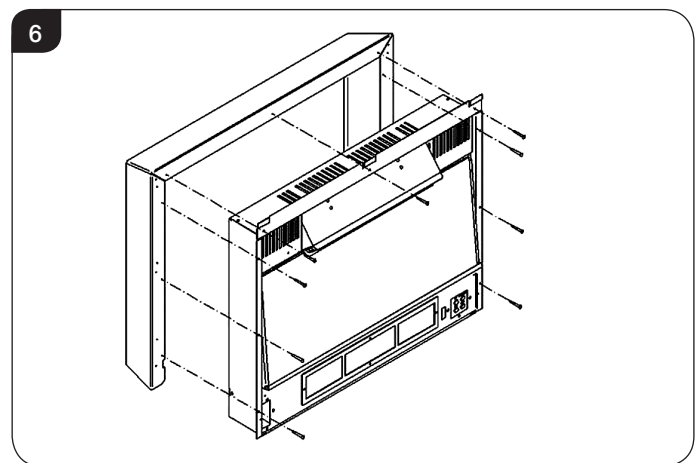
2.19 With the appliance power supply in place:

- Slightly widen the legs of the wall box and lower it over the 'fire box' so its hooks clear the top wall bar, Diagram 5.



- Let the legs spring back once over the top bar to engaged with the lower bar.

2.20 Fix the wall box to the appliance frame using the 9 screws supplied, Diagram 6.



2.21 Complete the installation of the appliance and the decorative frame by following the relevant instructions provided.

The power cable can be hidden from view by either sinking it into the plaster of the wall behind a suitable conduit, or by running it through a surface mounted channel.

**! THE POWER CABLE SHOULD NEVER BE HARD WIRED INTO THE ELECTRICAL WIRING OF THE HOUSE AND THE PLUG AND FLEX SHOULD NOT BE ALTERED IN ANY WAY. SUCH ACTION WILL INVALIDATE THE WARRANTY AND COULD EFFECT THE SAFE OPERATION OF THE APPLIANCE.**

## 3. Care & Maintenance

**Do not use abrasive cleaners on the wall box as this may damage the finish.**

3.1 Use a lint-free damp cloth to wipe clean.

3.2 For the frame and appliance follow the instructions included with them.

**Gazco Limited, Osprey Road, Sowton Industrial Estate, Exeter, Devon, England EX2 7JG**  
**Technical Customer Services (01392) 261950 Fax: (01392) 261951**  
**E-mail: [technicalservices@gazco.com](mailto:technicalservices@gazco.com)**

A member of the Stovax Group