



Gazco Riva2 670 Electric fire, Designio2 Graphite frame



Hearth, Wall Mounted or Existing Cavity

The contemporary Riva2 670 range is designed to fit a wide variety of installation options. You can also hang the fire on a wall using the optional wall mounting kit.

Offering up to 2kW of high efficiency heat output, these Eco Design compliant landscape electric fires are available with a realistic fuel effect and programmable thermostatic remote control with the option to enjoy the flames without any heat at all. There is also a choice of 3 contemporary frames.

The sleek finish of the Designio2 Glass forms an elegant frame, while the Gazco Designio2 Graphite is a stylish frame shaped for the Riva2 670 electric fire it's a simple yet sophisticated design.

To further enhance the fire, you can choose the Gazco Evoke Glass which is an eye-catching frame with layers of stunning reflective glass.

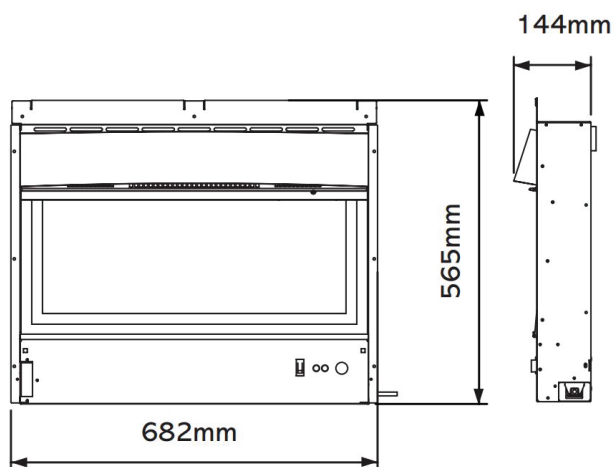
Key Features

Riva2 670 Electric

1-2kw	kW HEAT OUTPUT
✓	LOG FUEL BED
✓	PROGRAMMABLE THERMOSTATIC REMOTE
✓	CHOICE OF FRAMES
✓	NO FLUE REQUIRED
✓	NO BUILDING PERMITS
✓	EASY INSTALLATION

Riva2 670 Electric Technical Information

PRODUCT DIMENSIONS (mm)



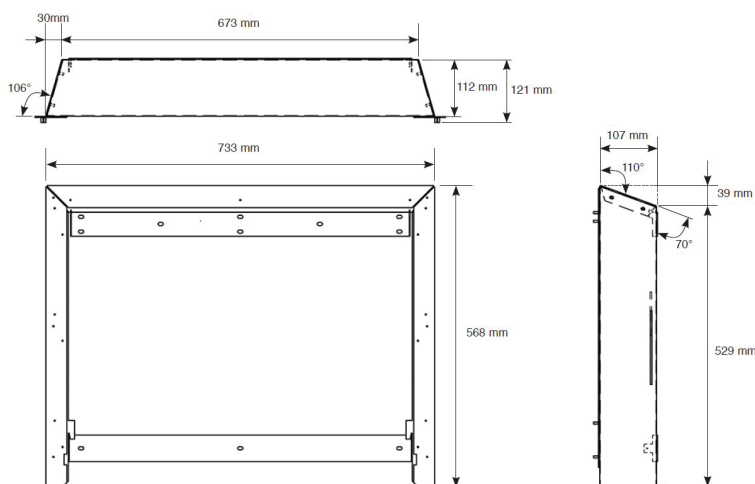
OPENING/RECESS SIZE (mm)

w	h	d
569	735	150

FRAME DIMENSIONS (mm)

	w	h	d
Designio2 Graphite	735	569	40
Designio2 Glass	735	569	40
Evolve Glass	920	622	41

WALL HANGING KIT DIMENSIONS (mm)



The wall mounting kit allows you to hang your Riva2 670 directly onto the wall, without the need for an opening or recess.

The information on this brochure is to assist you in your choice of a suitable Gazco fire. This is not intended to be all the information required to install your fire. This can be obtained from your local Gazco retailer or you can download the full and current installation instructions from: thefireplace.co.nz

Distributed by



Head Office & Showroom
12 Tawari Street
Mt Eden, Auckland
09 623 6990 | thefireplace.co.nz



Oct 2018