

6 5 4 3 2 1

D

C

B

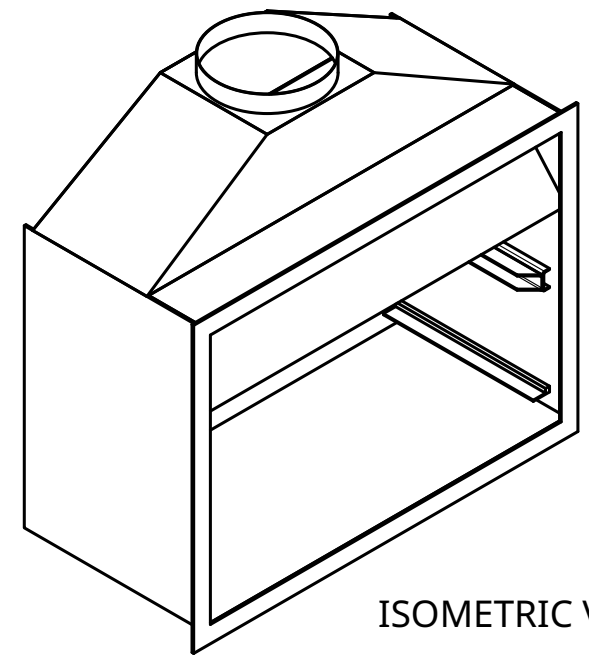
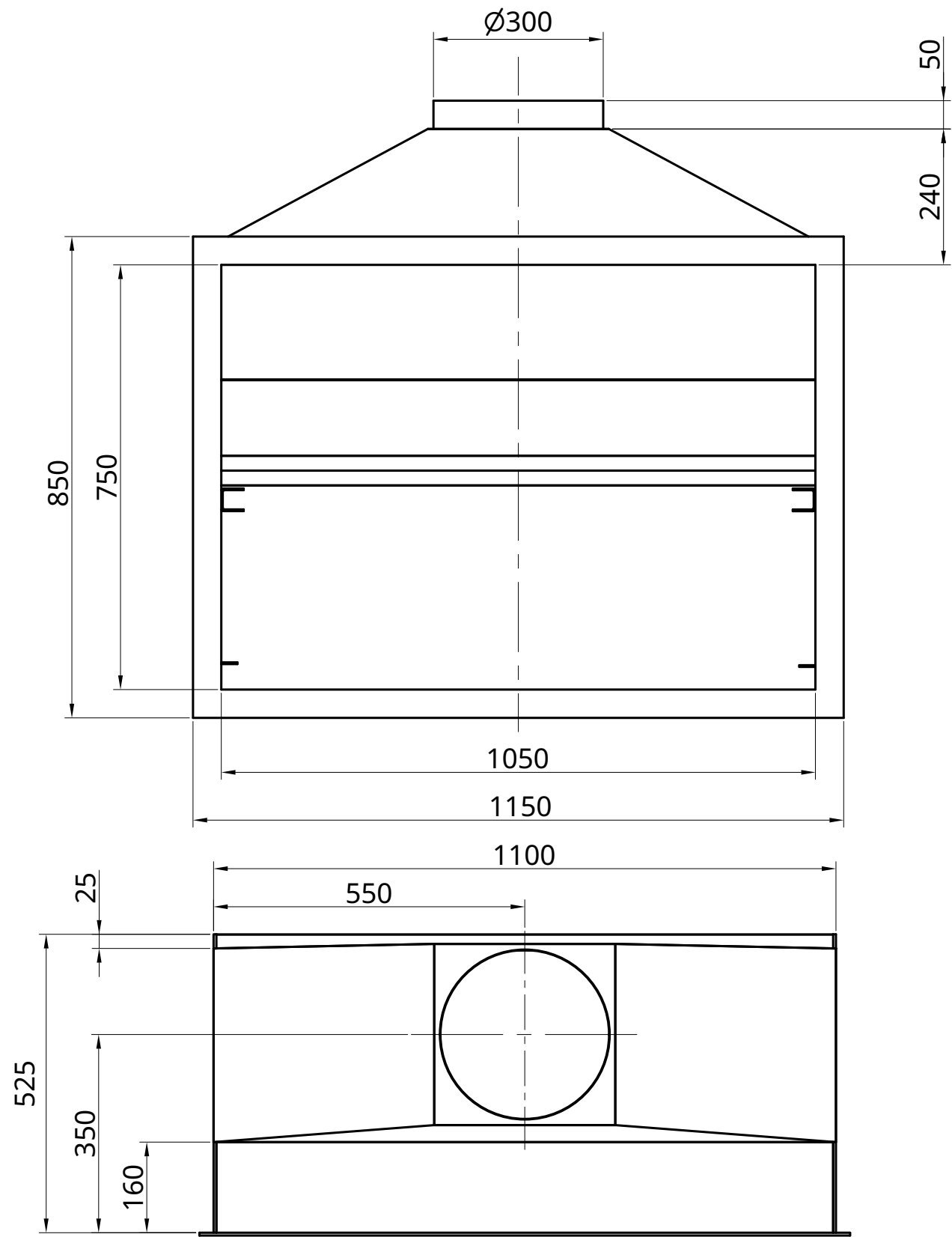
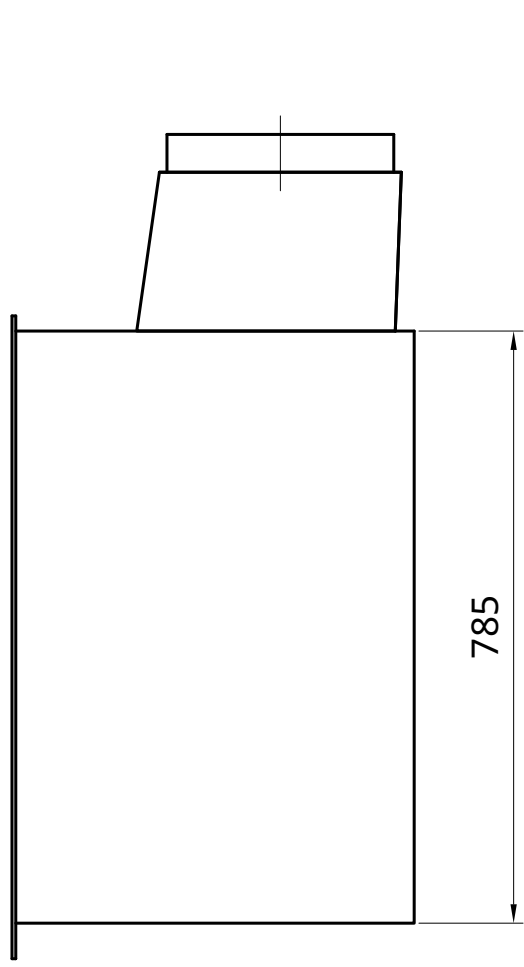
A

D

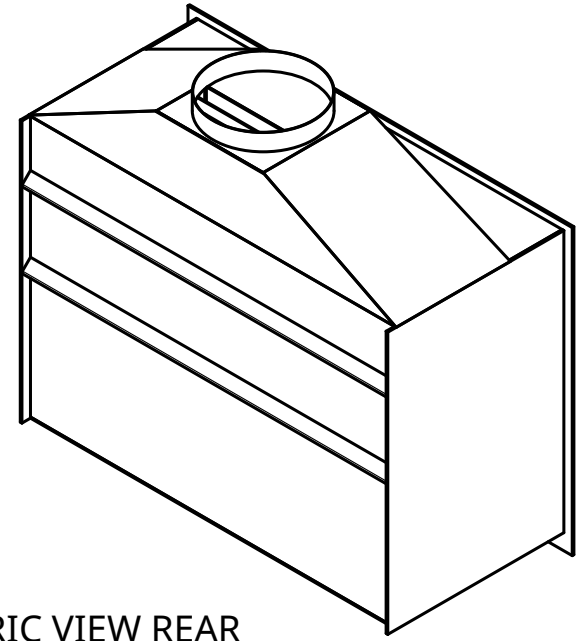
C

B

A



ISOMETRIC VIEW FRONT



ISOMETRIC VIEW REAR

UNLESS OTHERWISE SPECIFIED, DIMENSIONS ARE IN MILLIMETERS		NAME	SIGNATURE	DATE	TITLE Jetmaster Quadro 1050 Dimensional Details
ANGULAR = \pm °	DRAWN	CHARLIE RILEY		12-12-2018	
SURFACE FINISH	CHECKED				
DO NOT SCALE DRAWING	APPROVED				
BREAK ALL SHARP EDGES AND REMOVE BURRS	MATERIAL	FINISH		SIZE A3	DWG NO. JM-Quadro-001
FIRST ANGLE PROJECTION					REV. 1
		SCALE 1:16	WEIGHT		SHEET 1 of 1

6 5 4 3 2 1