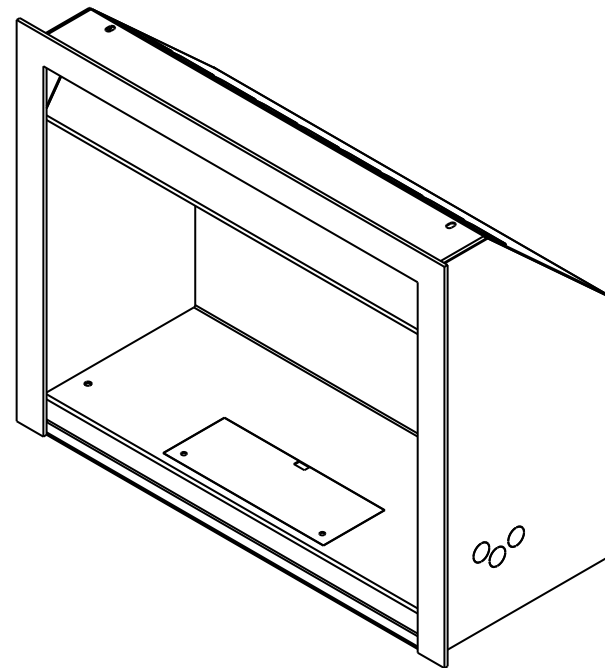
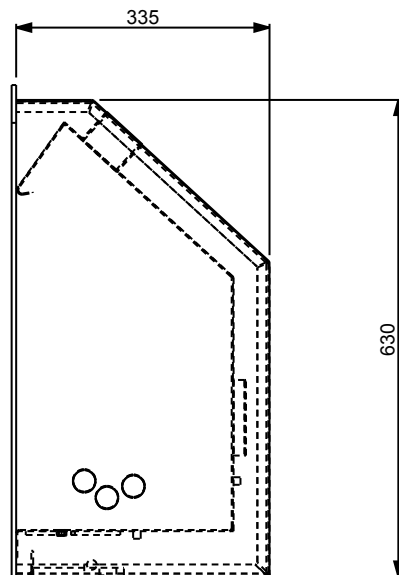



SCALE 1:10



SCALE 1:10

REFERENCE DIMENSION SHEET 			
PRODUCT DESCRIPTION		IGC 700 - NZ FULL ASSEMBLY	
DRAWING NUMBER		REFERENCE_700_IGC	
DRAWING REVISION		00	
DATE	19-Nov-09	SHEET	1 OF 1
THIS IS A REPRESENTATION OF THE PRODUCT REFERENCED ABOVE. NOT TO BE USED AS MANUFACTURING REFERENCE			